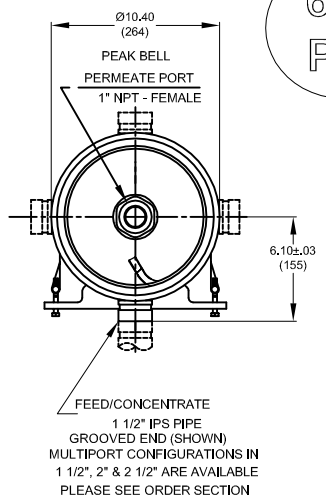
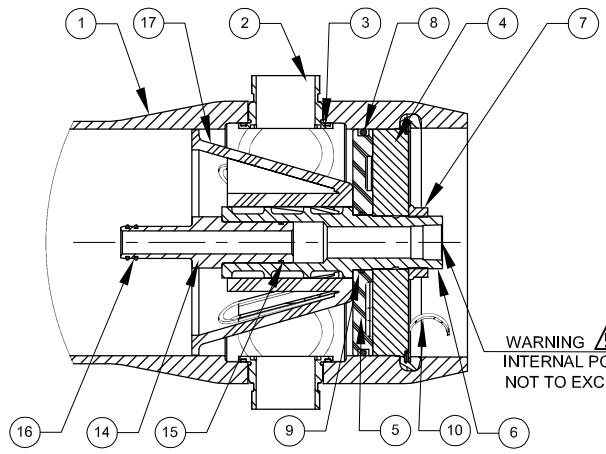


600
PSI



VIEW AT CENTER SUPPORT
CENTER VESSEL ON 2 OR 3 SUPPORTS
AT SPAN(S) *S*: 3 SUPPORTS REQUIRED
FOR LENGTHS 4 AND OVER

CAUTION: INCORRECT MANIFOLDING
WILL CAUSE SEVERE LOCAL STRESS
AROUND PORT AND MAY RESULT IN
LEAKS AND PREMATURE FAILURE;
TAKE EVERY PRECAUTION LISTED
ON REVERSE, SEE INSTALLATION
INSTRUCTIONS FOR FURTHER DETAILS



WARNING ⚠️
INTERNAL PORT PRESSURE
NOT TO EXCEED 125 PSI

SECTION THROUGH END CLOSURE

- NOTES:-
- ◆ MAX. ANGULAR VARIATION BETWEEN ANY PORTS ±0.5°.
 - ◆ DIMENSION IN INCHES (MM APPROX.)
 - ◆ SHELL EXTERIOR COATED WITH WHITE, HIGH GLOSS POLYURETHANE PAINT.
 - ◆ NOT TO BE USED FOR CONSTRUCTION UNLESS CERTIFIED.
 - ◆ ITEM 17 DOWNSTREAM ONLY.
 - * GRADE CF3M PER ASME SA-351/316L AS PER SA-479

Dash Length	L IN(MM)	P IN(MM)	S IN(MM)	Approx Weight LB(KG)
-1	59.75 (1518)	47 (1194)	20X1 (502)	93 (42)
-2	99.75 (2534)	87 (2210)	56X1 (1422)	115 (52)
-3	139.75 (3550)	127 (3226)	80X1 (2032)	137 (62)
-4	179.75 (4566)	167 (4242)	64X2 (1626)	159 (72)
-5	219.75 (5582)	207 (5258)	78X2 (1981)	181 (82)
-6	259.75 (6598)	247 (6274)	92X2 (2337)	203 (92)
-7	299.75 (7614)	287 (7290)	106X2 (2692)	225 (102)
-8	339.75 (8630)	327 (8306)	120X2 (3048)	247 (112)

DWG REF	QTY	PART NUMBER	DESCRIPTION	MATERIAL
SHELL				
1	1	ORDER SECTION	SHELL	Filament Wound Epoxy/Glass composites - Head locking grooves integrally wound in place.
2	A/R		F/C Port	CF3M *
3	A/R		F/C Port Seal	Ethylene Propylene
HEAD				
4	2	96157	Bearing Plate	6061-T6 Aluminium alloy - Hard anodized
5	2	96160	Sealing Plate	Engineering Thermoplastic.
6	2	96162	Permeate Port	Engineering Thermoplastic.
7	2	45066	Port Nut	Engineering Thermoplastic.
8	2	96000	Head Seal	Ethylene Propylene - O - Ring
9	2	45312	Perm Port Seal	Ethylene Propylene - O - Ring
HEAD INTERLOCK				
10	2	47336	Quick Release Spiral Ring	316 Stainless Steel.
VESSEL SUPPORT				
11	* 2	52169	Saddle	Engineering Thermoplastic.
12	* 2	45042	Strap Assy.	304 Stainless Steel-PVC Cushion.
13	4	46265	Strap screw.	5/16-18 UNC, 18-8 Stainless Steel.
ELEMENT INTERFACE				
14	2	A/R	Adapter	Engineering Thermoplastic.
15	2	52245	Adapter seal	Ethylene Propylene - O - Ring
16	4	A/R	PWT Seal	Ethylene Propylene - O - Ring
17	1	96163	Thrust Cone	Engineering Thermoplastic.
* 3 each furnished with length code 4,5,6,7 & 8.				

DRAWN DATE	PGS 02 SEP 08	CODELINE - 80S60 MEMBRANE HOUSING			
CHECKED DATE	MD 02 SEP 08				
APPROVED DATE	RM 02 SEP 08	ECN 2047	DWG. NO. 99162	REV. G	
		DATE 27 DEC 10	SCALE NONE	SIZE A3	SHEET 1 OF 2

