



Position	Qty.	Description																						
	1	<p>CRN 5-20 A-FGJ-G-E-HQQE</p>  <p style="text-align: right;">Note! Product picture may differ from actual product</p> <p>Product No.: 96085043</p> <p>Vertical, non-self-priming, multistage, in-line, centrifugal pump for installation in pipe systems and mounting on a foundation.</p> <p>The pump has the following characteristics:</p> <ul style="list-style-type: none"> - Impellers, intermediate chambers and outer sleeve are made of Stainless steel, DIN W.-Nr. 1.4401. - Pump head cover and base are made of Stainless steel, DIN W.-Nr. 1.4408. - The shaft seal has assembly length according to EN 12756. - Power transmission is via cast iron split coupling. - Pipework connection is via ANSI flanges/couplings. <p>The motor is a 3-phase AC motor.</p> <p>Liquid:</p> <table style="width: 100%;"> <tr> <td>Pumped liquid:</td> <td>Water</td> </tr> <tr> <td>Liquid temperature range:</td> <td>-4 .. 248 °F</td> </tr> <tr> <td>Liquid temp:</td> <td>68 °F</td> </tr> <tr> <td>Density:</td> <td>62.4 lb/ft³</td> </tr> <tr> <td>Kinematic viscosity:</td> <td>0.0388 ft²/h</td> </tr> </table> <p>Technical:</p> <table style="width: 100%;"> <tr> <td>Speed for pump data:</td> <td>3467 rpm</td> </tr> <tr> <td>Rated flow:</td> <td>30.4 US GPM</td> </tr> <tr> <td>Rated head:</td> <td>487 ft</td> </tr> <tr> <td>Shaft seal:</td> <td>HQQE</td> </tr> <tr> <td>Approvals on nameplate:</td> <td>ANSI/NSF61</td> </tr> </table> <p>Materials:</p> <table style="width: 100%;"> <tr> <td>Pump housing:</td> <td>Stainless steel DIN W.-Nr. 1.4408</td> </tr> </table>	Pumped liquid:	Water	Liquid temperature range:	-4 .. 248 °F	Liquid temp:	68 °F	Density:	62.4 lb/ft³	Kinematic viscosity:	0.0388 ft²/h	Speed for pump data:	3467 rpm	Rated flow:	30.4 US GPM	Rated head:	487 ft	Shaft seal:	HQQE	Approvals on nameplate:	ANSI/NSF61	Pump housing:	Stainless steel DIN W.-Nr. 1.4408
Pumped liquid:	Water																							
Liquid temperature range:	-4 .. 248 °F																							
Liquid temp:	68 °F																							
Density:	62.4 lb/ft³																							
Kinematic viscosity:	0.0388 ft²/h																							
Speed for pump data:	3467 rpm																							
Rated flow:	30.4 US GPM																							
Rated head:	487 ft																							
Shaft seal:	HQQE																							
Approvals on nameplate:	ANSI/NSF61																							
Pump housing:	Stainless steel DIN W.-Nr. 1.4408																							



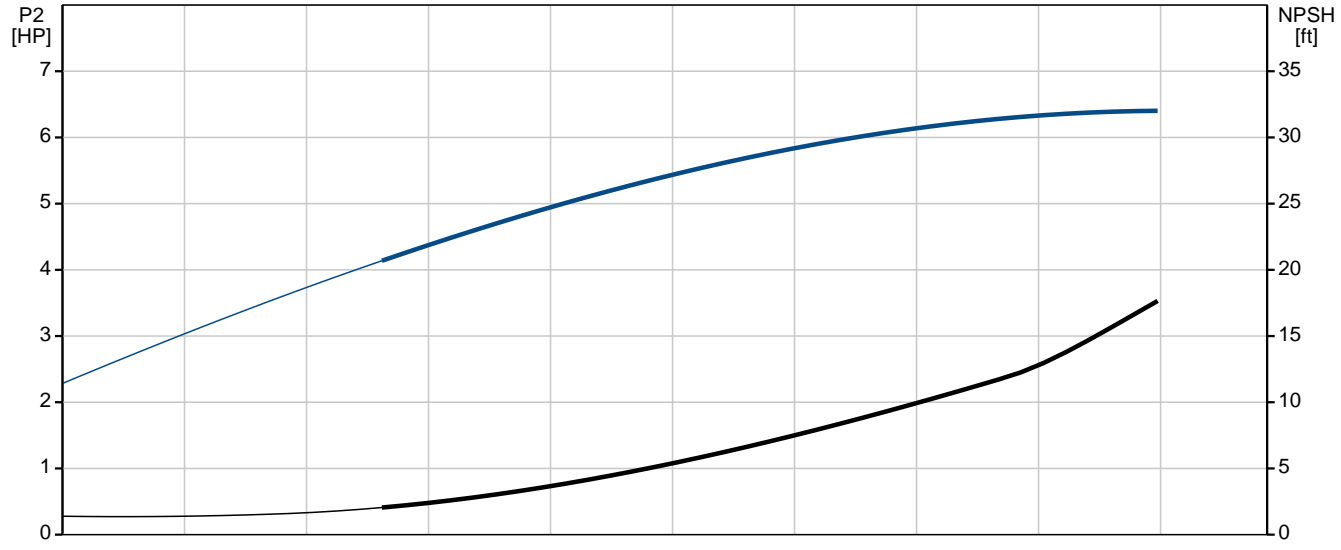
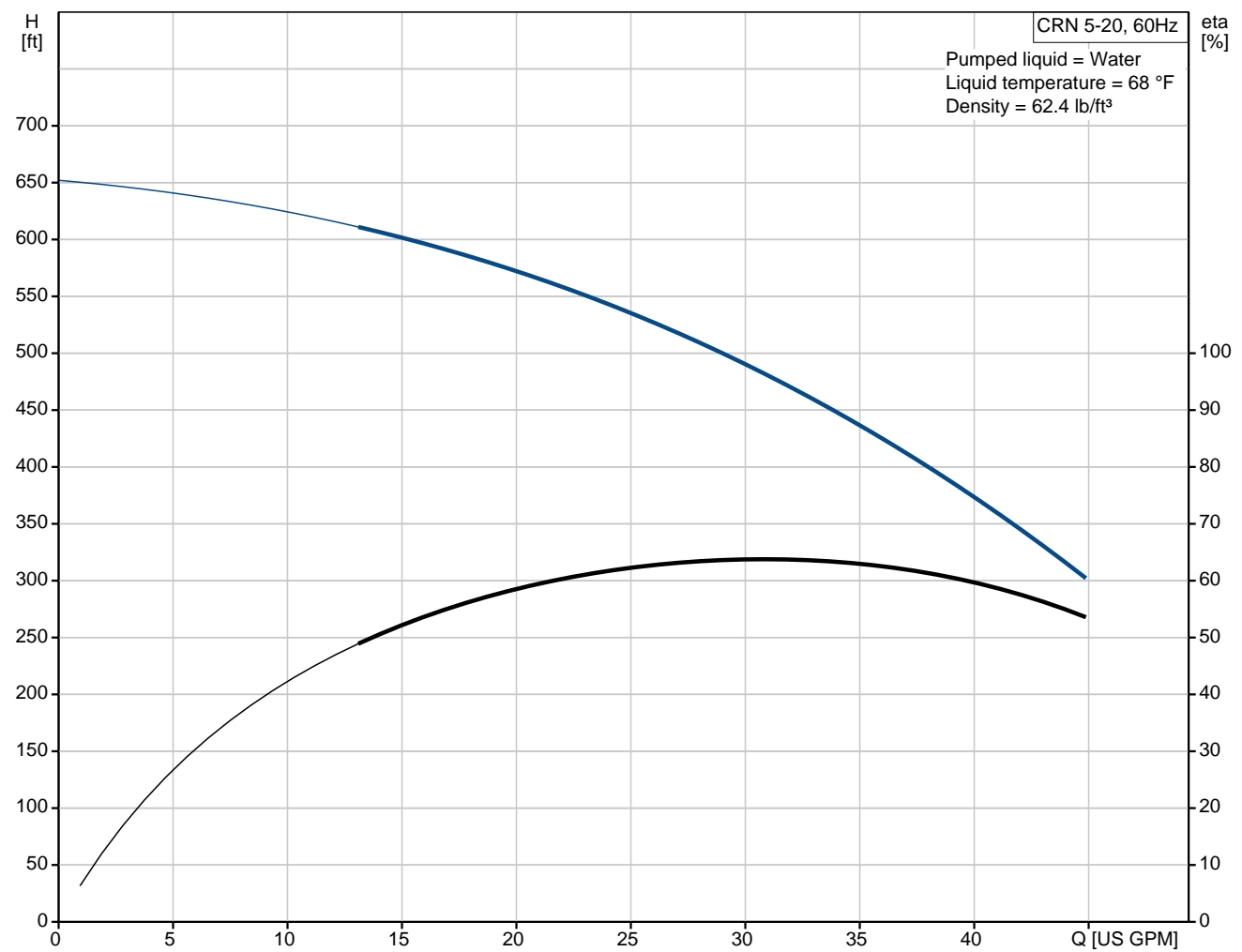
Company name: -
 Created by: -
 Phone: -
 Fax: -
 Date: -

Position	Qty.	Description
		<p>ASTM A 351 CF 8M Stainless steel DIN W.-Nr. 1.4401 AISI 316</p> <p>Installation: Maximum ambient temperature: 104 °F Max pressure at stated temp: 363 psi / 250 °F 363 psi / -4 °F</p> <p>Flange standard: ANSI Pipe connection: 1 1/4" Pressure stage: CLASS 300 Flange size for motor: 213TC</p> <p>Electrical data: Motor type: 132DA Number of poles: 2 Rated power - P2: 7.5 HP Power (P2) required by pump: 7.5 HP 7.5 HP</p> <p>Mains frequency: 60 Hz Rated voltage: 3 x 208-230/460 V Service factor: 1,15 Rated current: 20.4-19.4/9.70 A Starting current: 940-1040 % Cos phi - power factor: 0.89-0.84 Rated speed: 3520-3540 rpm Motor efficiency at full load: 90,0 % Motor efficiency at 3/4 load: 89.0-89.5 % Motor efficiency at 1/2 load: 87.5-88.0 % Enclosure class (IEC 34-5): 55 (Protect. water jets/dust) Insulation class (IEC 85): F</p> <p>Others: Net weight: 165 lb Gross weight: 183 lb Shipping volume: 3.88 ft³</p>



Company name: -
Created by: -
Phone: -
Fax: -
Date: -

96085043 CRN 5-20 60 Hz



Description	Value
Product name:	CRN 5-20 A-FGJ-G-E-HQQE
Product No:	96085043
EAN number:	5700395198812

Technical:

Speed for pump data:	3467 rpm
Rated flow:	30.4 US GPM
Rated head:	487 ft
Impellers:	20
Shaft seal:	HQQE
Approvals on nameplate:	ANSI/NSF61
Stages:	20
Pump version:	A
Model:	A
Cooling:	TEFC

Materials:

Pump housing:	Stainless steel
	DIN W.-Nr. 1.4408
	ASTM A 351 CF 8M
Impeller:	Stainless steel
	DIN W.-Nr. 1.4401
	AISI 316
Material code:	G
Code for rubber:	E

Installation:

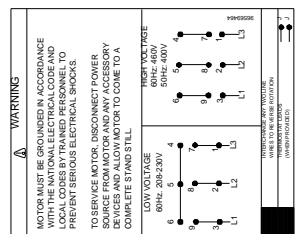
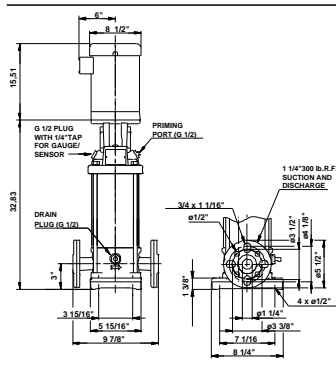
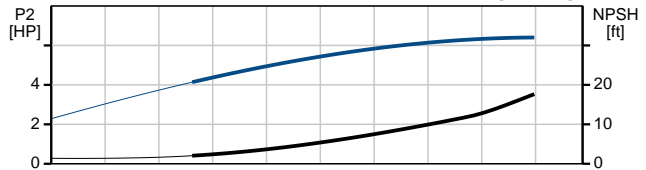
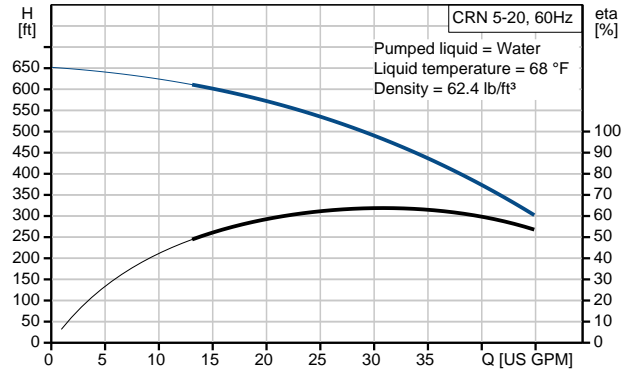
Maximum ambient temperature:	104 °F
Max pressure at stated temp:	363 psi / 250 °F
	363 psi / -4 °F
Flange standard:	ANSI
Connect code:	FGJ
Pipe connection:	1 1/4"
Pressure stage:	CLASS 300
Flange size for motor:	213TC

Liquid:

Pumped liquid:	Water
Liquid temperature range:	-4 .. 248 °F
Liquid temp:	68 °F
Density:	62.4 lb/ft³
Kinematic viscosity:	0.0388 ft²/h

Electrical data:

Motor type:	132DA
Number of poles:	2
Rated power - P2:	7.5 HP
Power (P2) required by pump:	7.5 HP
	7.5 HP
Mains frequency:	60 Hz
Rated voltage:	3 x 208-230/460 V
Service factor:	1,15
Rated current:	20.4-19.4/9.70 A
Starting current:	940-1040 %
Cos phi - power factor:	0.89-0.84
Rated speed:	3520-3540 rpm
Motor efficiency at full load:	90,0 %
Motor efficiency at 3/4 load:	89.0-89.5 %
Motor efficiency at 1/2 load:	87.5-88.0 %



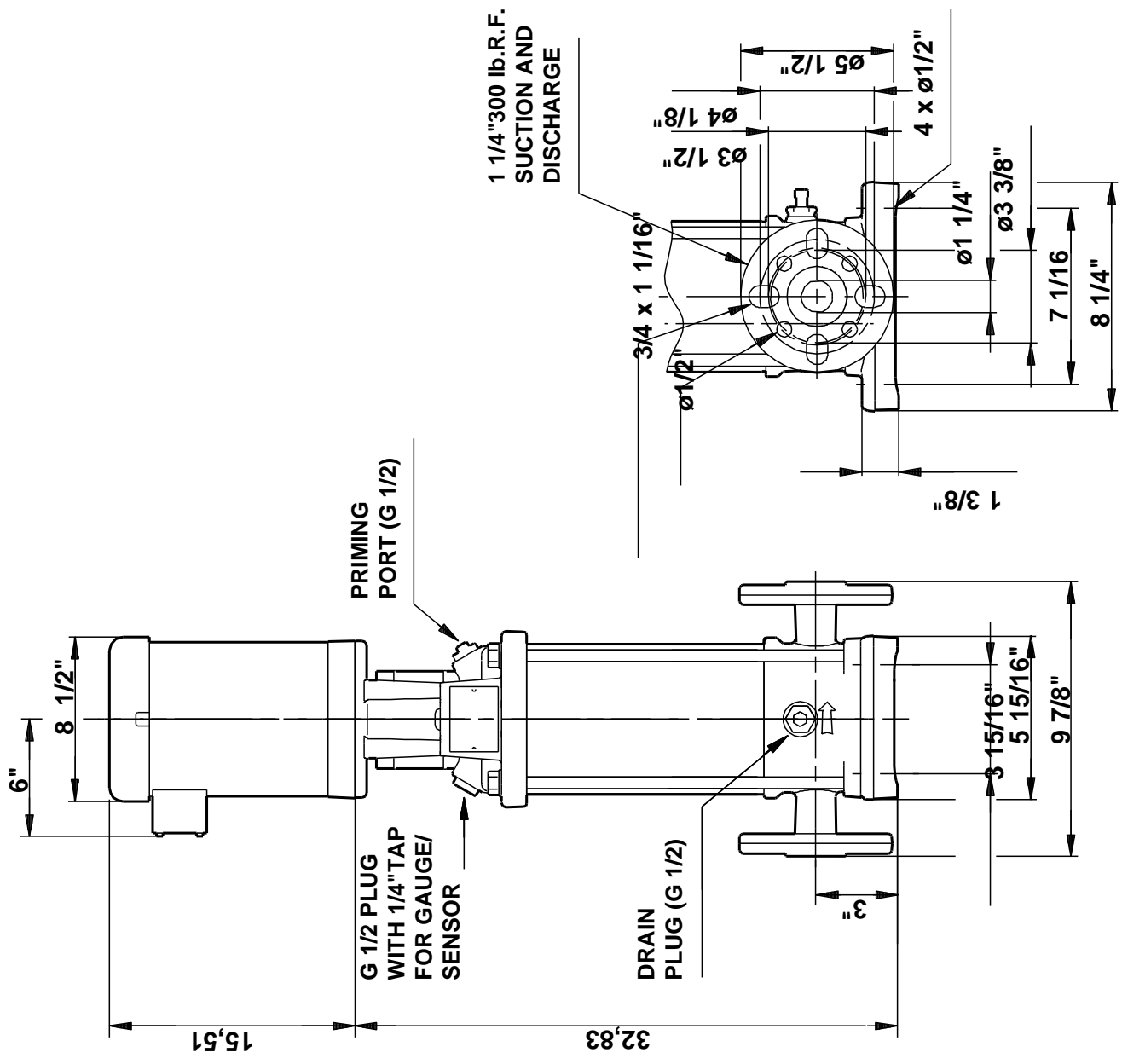


Company name: -
Created by: -
Phone: -
Fax: -
Date: -

Description	Value
Enclosure class (IEC 34-5):	55 (Protect. water jets/dust)
Insulation class (IEC 85):	F
Motor protec:	PTC
Motor No:	85900708

Others:	
Net weight:	165 lb
Gross weight:	183 lb
Shipping volume:	3.88 ft ³

96085043 CRN 5-20 60 Hz



Note! All units are in [mm] unless others are stated.
 Disclaimer: This simplified dimensional drawing does not show all details.