

SR and SF

Horizontal, single-stage, end-suction pumps
60 Hz



Contents

Mission

Product data

Introduction	4
Features and benefits	4
Technical characteristics	4
Performance ranges	5
Applications	7
Product range	8
Pump	9
Motor	9
Surface treatment	9
Pressure test	9
Pumped liquids	10
Ambient temperature	10
Viscosity	10
Performance test	10
Spare parts	10

Identification

Type key	11
Codes	11

Construction

SR	12
SF	12

Operating and inlet pressures

Minimum inlet pressure	13
Maximum inlet pressure	13
Maximum operating pressure and temperature range	14
Operating range of the shaft seal	14

Selection and sizing

Selection of pumps	15
Guidelines to performance curves	16
How to read the curve charts	17

Performance curves/ Technical data

SR-A	18
SR-B	20
SR-C	24
SR-D	26
SR-E	28
SR-F	30
SR-G	32
SF-H	34
SF-I	36

Motor data

Motors for SR and SF, 60 Hz	38
-----------------------------	----

Accessories

ANSI counter-flange for SF pumps	39
Liquid-filled pressure gauges	39

Submittal data sheet

SR and SF	40
Client information	40
Location information	40
Application information	40
Pump information	40
Motor information	40
Additional information	40

Quotation text

SR and SF	41
Technical	41
Material	41
Installation	41
Electrical data	41
Additional	41

42

- to successfully develop, produce, and sell high-quality pumps and pumping systems worldwide, contributing to a better quality of life and healthier environment.



GBJ - Bjerringbro, Denmark



GMU - Fresno, California



GPU - Olathe, Kansas



GMX - Monterrey, Mexico



GPA - Allentown, Pennsylvania



GCA - Oakville, Ontario

- One of the three largest pump companies in the world
- World headquarters in Denmark
- North American headquarters in Kansas City - Manufacturing in Fresno, California
- 60 companies in 40 countries
- More than 10 million pumps produced annually worldwide
- North American companies operating in USA, Canada and Mexico
- Continuous reinvestment in growth and development enables the company to **BE** responsible, **THINK** ahead, and **INNOVATE**.

Introduction

The SR and SF pumps are available in a wide range of models, developed to meet the various conditions of service in innumerable applications.

SR



TM03 2159 3805

- Flow rates: up to 355 gal/min.
- Heads: up to 330 feet
- Power: 0.75 hp to 25 hp
- Speed: 3500 rpm
- Maximum liquid temperature: 176°F, with FKM option: 194°F.
- Maximum operating pressure 175 psi.

SF



TM03 2160 3805

- Flow rates: up to 585 gal/min.
- Heads: up to 165 feet
- Power: 5 hp to 15 hp
- Speed: 3500 rpm
- Maximum liquid temperature: 176°F, with FKM option: 194°F.
- Maximum operating pressure: 175 psi.

Features and benefits

- Low power consumption and high efficiency.
- Compact close-coupled construction.
- Wide hydraulic coverage, enabling a wide range of applications.
- End suction and centerline discharge port.
- Low maintenance costs.
- Discharge port can be positioned in 0°, -90°, 180°, and 270° by rotating the pump housing.
- Back pullout design.

Technical characteristics

SR and SF pumps are provided with motors of the best sources and specially manufactured to enable the close-coupled connection.

The impellers are dynamically balanced.

5hp and larger motor shafts are protected by a stainless steel sleeve, 3hp and below have stainless steel shaft with no sleeve.

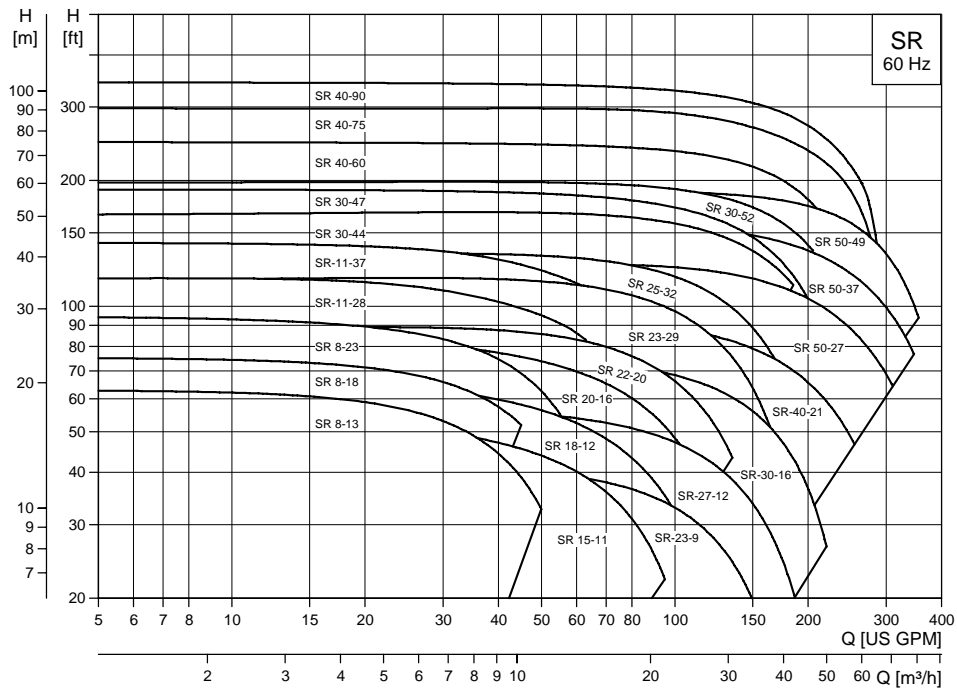
Standard range characteristics:

- Pump housings have discharge connections from 1" to 4".
- Impellers are made of cast iron, bronze or brass.
- SR and SF pumps are available with 2-pole, 60 Hz motors.
- Single-phase pumps are available as 1 x 115/208-230 V.
- Three-phase pumps are available as 3 x 208-230/460 V and 3 x 575 V.

To a great extent, the pumps can be adapted to the requirements of the individual customer. For customized solutions, please contact Grundfos.

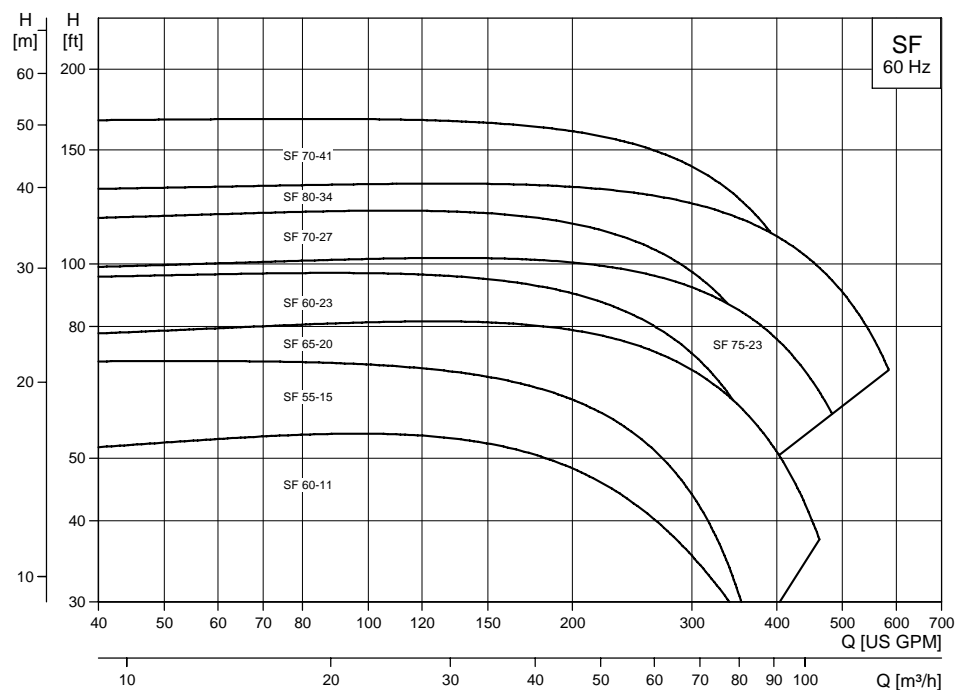
Performance ranges

SR, cast-iron impeller



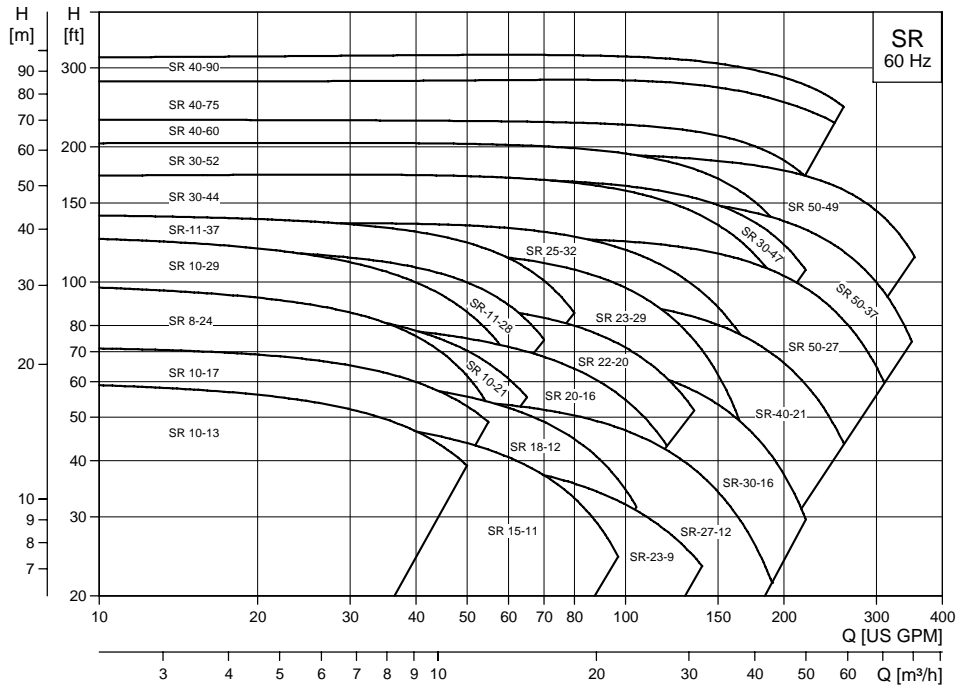
TM03 2613 4605

SF, cast-iron impeller



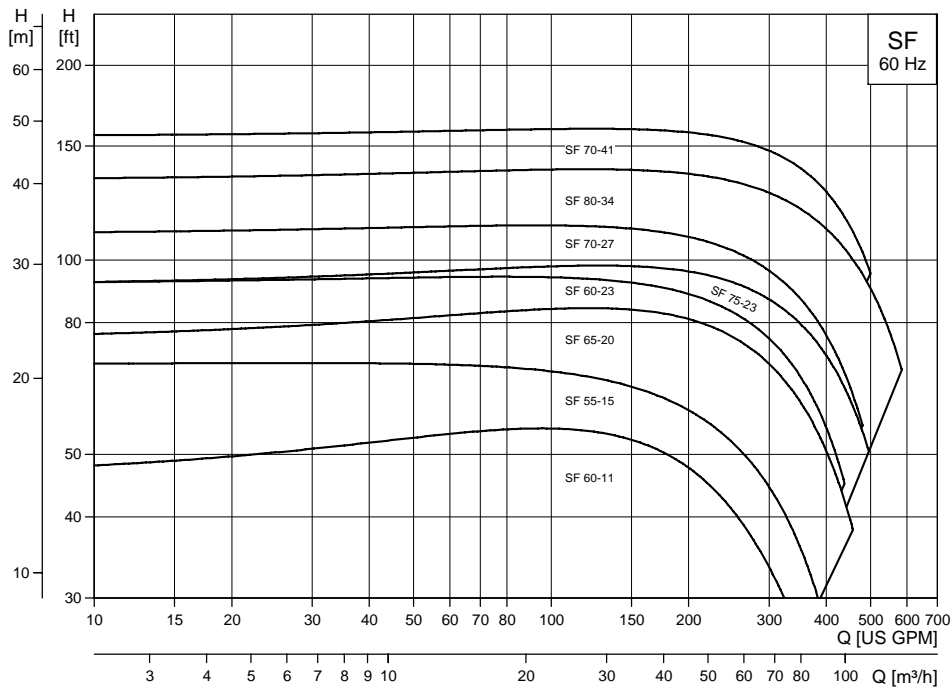
TM03 2613 4605

SR, bronze impeller



TM03 2612 4605

SF, bronze impeller



TM03 2614 4605

Applications

The SR and SF pump range is designed for a variety of different applications demanding

- reliable and cost-efficient supply
- high performance
- continuous and heavy-duty service.

Examples of applications:

Liquid transfer in

- cooling and air-conditioning systems (refrigerants)
- boiler feed and condensate systems
- aquafarming
- heating systems
- district heating plants.

Water supply

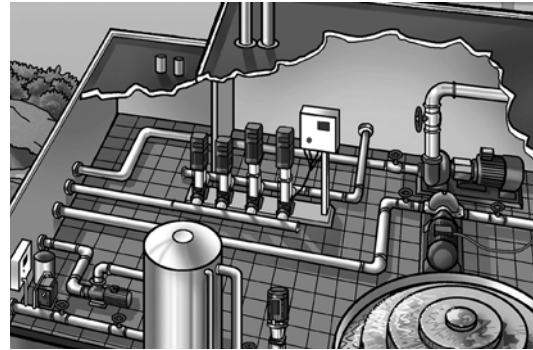
- filtration and transfer at waterworks
- distribution from waterworks
- pressure boosting in mains
- pressure boosting in high-rise buildings, hotels, etc.
- pressure boosting for industrial water supply
- public water supply
- building utility.

Pressure boosting in

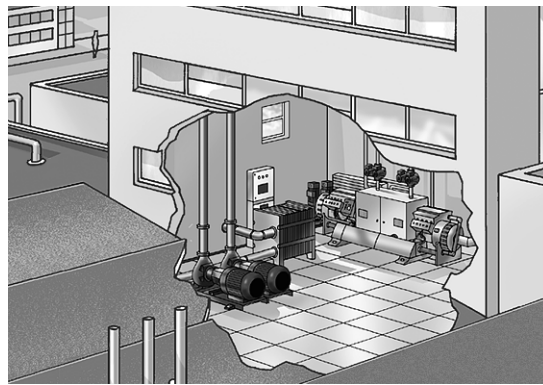
- washing and cleaning systems
- washdown systems
- vehicle washing tunnels
- fire protection systems.

Irrigation

- field irrigation (flooding)
- sprinkler irrigation
- drip-feed irrigation.



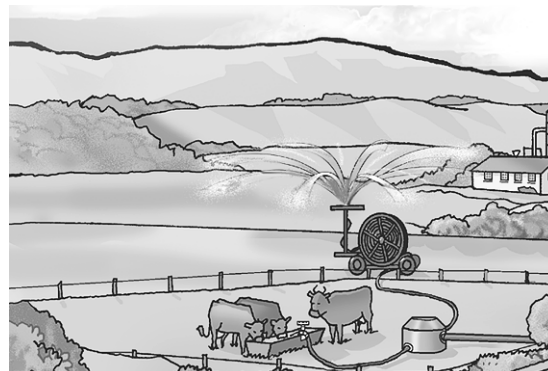
TM03 0146 4204



TM03 0147 4204



TM03 0148 4204



TM03 0149 4204

Product range

The tables below show the complete SR and SF product range.

The SR and SF pumps are also accessible in Win-CAPS.

SR

Pump type	Phases		Power [hp]	Impeller			Suction port	Discharge port
	1	3		Cast iron (F)	Bronze (B)	Brass (L)		
SR-A-8-13	●	●	0.75	●				
SR-A-8-17	●	●	1	●				
SR-A-8-23	●	●	1.5	●				
SR-A-10-13	●	●	0.75		●			
SR-A-10-17	●	●	1		●		1½"	1"
SR-A-10-21	●	●	1.5		●			
SR-B-8-24	●	●	1.5			●		
SR-B-10-29	●	●	2			●		
SR-B-11-28	●	●	2	●	●			
SR-B-11-37	●	●	3	●	●			
SR-C-23-9	●	●	1.5	●	●			
SR-C-27-12	●	●	2	●	●			
SR-C-30-16	●	●	3	●	●			
SR-D-40-21	●	●	5	●	●		2½"	2"
SR-D-50-27	●	●	7.5	●	●			
SR-D-50-37	●	●	10	●	●			
SR-D-50-49	●	●	15	●	●			
SR-E-23-29	●	●	5	●	●			
SR-E-25-32	●	●	5	●	●			
SR-E-30-44	●	●	7.5	●	●			
SR-E-30-52	●	●	10	●	●		2"	1½"
SR-F-15-11	●	●	1	●	●			
SR-F-18-12	●	●	1.5	●	●			
SR-F-20-16	●	●	2	●	●			
SR-F-22-20	●	●	3	●	●			
SR-G-30-47	●	●	10	●	●			
SR-G-40-60	●	●	15	●	●			
SR-G-40-75	●	●	20	●	●		2½"	2"
SR-G-40-90	●	●	25	●	●			

SF

Pump type	Phases		Power [hp]	Impeller		Suction port	Discharge port
	1	3		Cast iron (F)	Bronze (B)		
SF-H-55-15	●	●	5	●	●		
SF-H-60-23	●	●	7.5	●	●		
SF-H-70-27	●	●	10	●	●	3"	2½"
SF-H-70-41	●	●	15	●	●		
SF-I-60-11	●	●	5	●	●		
SF-I-65-20	●	●	7.5	●	●	4"	3"
SF-I-75-23	●	●	10	●	●		
SF-I-80-34	●	●	15	●	●		

Pump

The SR and SF pumps are non-self-priming, horizontal, single-stage centrifugal pumps, fitted with a WEG brand standard motor.

The pump consists of a pump housing and a pump head. The pump housing has an axial suction port and a radial discharge port.

All pumps are equipped with a maintenance-free mechanical shaft seal of the rubber bellows type.

Pump housing

The volute pump housing is made of cast iron with axial suction port and radial discharge port.

The pump housing incorporates three drain plugs to allow different discharge positions.

SR: Thread connection dimensions comply with NPT.

SF: Flange dimensions comply with 125 # ASME/ANSI B16.1.

Pump head

The cast iron pump head combines pump housing and motor. The pump head is secured to the pump housing by means of staybolts. An O-ring is used as seal between pump head and pump housing.

Shaft

The impeller is mounted on the motor shaft. 5hp and larger motors have 1045 carbon steel shaft with 304 S.S. shaft sleeve. 3 hp and lower horse power motors have 316 S.S. motor shaft without shaft sleeve.

Impeller

The closed impeller with double-curved blades is made of cast iron, bronze or brass.

All impellers are dynamically balanced per ISO 1940/1 Grade 6.3.

The direction of rotation of the impeller is clockwise when viewed from the motor end.

Shaft seal

Unbalanced mechanical shaft seal. Seal faces are made of carbon, resin-impregnated/ceramics.

The code of the standard version is BBVE or BBVV.

The seal is not suitable for liquids containing abrasive particles as the carbon part will be worn down.

For shaft seal variants, please contact Grundfos.

Motor

The motor is a totally enclosed, fan-cooled standard motor with main dimensions to NEMA standards.

Features:

- Motor bearings greased for life for motors < 20 hp.
- Single-phase motors with built-in thermal overload protection.
- Temperature rise class B (max. 176°F) and insulation system class F (allowed 221°F temperature rise).

Electrical data

Mounting designation	NEMA
Insulation class	F
Efficiency class	Standard efficiency Energy efficient / EPC - on request Premium efficiency - on request
Enclosure class	TEFC - Totally Enclosed Fan-Cooled
60 Hz standard voltages	1 x 115/208-230 V 1 x 208-230/460 V 3 x 208-230/460 V 3 x 575 V

Approvals



Three-phase motors must be connected to a motor starter in accordance with local regulations.

Surface treatment

All cast-iron pump parts (includes impeller if impeller is cast iron) are electro-coated.

Electro-coating includes:

1. Alkaline cleaning
2. Pre-treatment with zinc phosphate coating
3. Cathodic electro-coating (epoxy)
4. Curing of paint film at 350°F.

The color code of the finished product is NCS 9000/RAL 9005.

The thickness of the dry coating is 18 μm ±4 μm.

Pressure test

Before delivery, the pumps have been tested at 1.5 x maximum operating pressure.

Test liquid: Cold water.

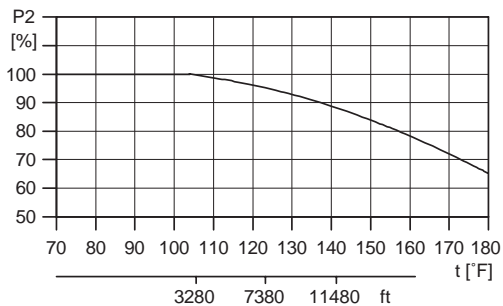
Pumped liquids

Thin, clean, non-aggressive and non-explosive liquids without solid particles or fibers.

Ambient temperature

Maximum +104°F.

If the ambient temperature exceeds +104°F or if the motor is located 3280 feet or higher above sea level, the motor output (P2) must be reduced due to the low cooling effect of the air. In such cases, it may be necessary to use a motor with a higher output.



TK00 2189 1598

Fig. 1 Relationship between motor output (P2) and ambient temperature

Viscosity

The pumping of liquids with densities or kinematic viscosities higher than those of water will cause a considerable pressure drop, a drop in the hydraulic performance and an increase in the power consumption.

In such situations, the pump should be fitted with a larger motor. If in doubt, contact Grundfos.

Performance test

Every pump is tested according to ISO 9906, Annex A, and without certification.

Spare parts

Available spare parts kits:

- Mechanical shaft seal kits
- O-rings
- Impeller.

Type key

Example	S	R	A	5	25	F	-2	-60	BBVE	A
Single-stage										
Code for connection type										
Code for volute type										
Rated (or nominal) flow [m ³ /h] (at 60 Hz)										
Rated/nominal head at rated/nominal flow										
Code for material										
Number of poles 2 = 2-pole 4 = 4-pole										
Frequency 50 = 50 Hz 60 = 60 Hz										
Code for mechanical shaft seal										
Code for pump version A = Basic pump version X = Special version T = Trimmed impeller										

Codes

Connection type

R	NPT (National Pipe Thread)
F	Flanged (ANSI flange)

Volute type

Type	Suction	Discharge
A	1.5"	1"
B	1.5"	1"
C	2.5"	2"
D	2.5"	2"
E	2"	1.5"
F	2"	1.5"
G	2.5"	2"
H	3"	2.5"
I	4"	3"

Material

F	Cast iron fitted
B	Cast iron construction with bronze impeller
L	Cast iron construction with brass impeller

Mechanical seal

Position	Explanation	Code	Description
1	Seal type	B	Rubber bellows seal
2	Seal face, rotating part	B	Carbon, synthetic resin-impregnated
		Q	Silicon carbide (on request)
3	Seal face, stationary part	V	Aluminium oxide
		Q	Silicon carbide (on request)
4	Rubber parts	E	EPDM
		V	FKM

SR



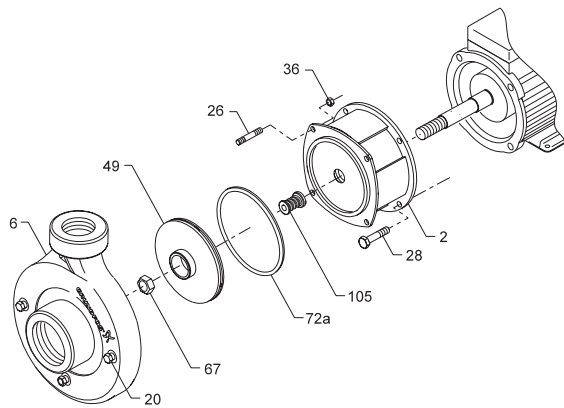
TM03 2159 3805

SF



TM03 2160 3805

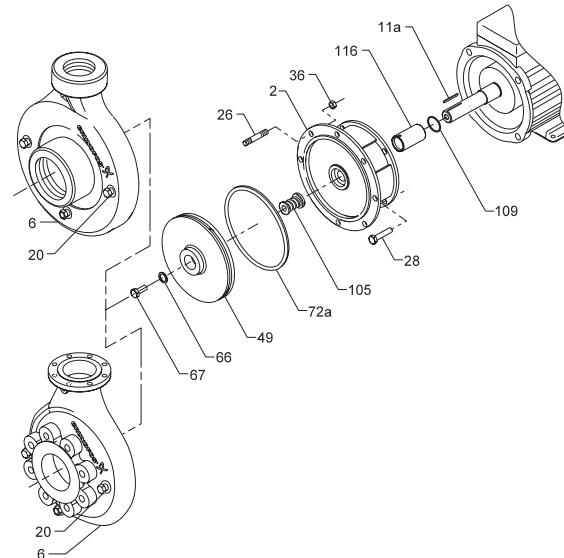
Exploded view



TM03 1708 2705

Fig. 2 Exploded view of SR pump (3 hp or below)

Exploded view



TM03 1707 3305

Fig. 3 Exploded view of SR (5 hp or above) and SF pump

Material specification, SR and SF

Pos.	Component	Material
2	Pump head	Cast Iron ASTM A48, class 35
6	Pump housing	Cast Iron ASTM A48, class 35
11a	Key	AISI 304
20	Plug (draining, priming)	AISI 304
26	Staybolt	AISI 304
28	Hexagon head screw	AISI 304
36	Nut	Zinc carbon steel
49	Impeller	- Cast Iron ASTM A48, class 30 - Bronze SAE CA903 (lead free) - Brass SAE CA377
66	Washer	AISI 304
67	Nut/hexagon head screw	Zinc carbon steel
72a	O-ring	EPDM/FKM
105a	Shaft seal	Carbon, resin-impregnated/ ceramics - B/V
109	O-ring	EPDM/FKM
116	Sleeve	AISI 304

Minimum inlet pressure

Minimum inlet pressure according to the NPSHR curve plus a safety allowance of at least 2 feet.

Minimum inlet pressure - NPSHR

Calculation of the maximum suction lift "H" is recommended when

- the liquid temperature is high
- the flow is significantly higher than the rated flow
- water is drawn from depths
- water is drawn through long pipes
- inlet conditions are poor.

To avoid cavitation, make sure that there is a minimum pressure on the suction side of the pump. The maximum suction lift "H" in feet can be calculated as follows:

$$H = p_b - \text{NPSHR} - H_f - H_v - H_s$$

p_b = Barometric pressure in feet absolute.
(Barometric pressure can be set to 33.9 feet at sea level. In closed systems, p_b indicates system pressure in feet.)

NPSHR = Net Positive Suction Head Required in feet.
(To be read from the NPSHR curve at the highest flow the pump will be delivering)

H_f = Friction loss in suction pipe in feet. (At the highest flow the pump will be delivering)

H_v = Vapor pressure in feet.
(To be read from the vapor pressure scale. " H_v " depends on the liquid temperature " T_m ").

H_s = Safety margin = minimum 2.0 feet.

If the "H" calculated is positive, the pump can operate at a suction lift of maximum "H" feet.

If the "H" calculated is negative the pump will cavitate. Loss of performance, high noise levels and a short pump life are expected.

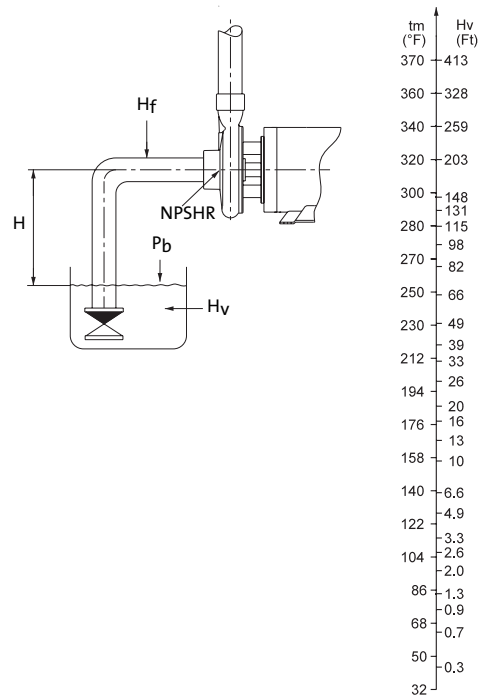


Fig. 4 Minimum inlet pressure - NPSHR

Note: To avoid cavitation, never select a pump with a duty point too far to the right on the NPSHR curve.

Always check the NPSHR value of the pump at the highest possible flow.

Maximum inlet pressure

Pump	Max. permissible inlet pressure
SR	87 [psi]
SF	87 [psi]

However, the inlet pressure + the pressure against a closed valve **must** always be lower than the maximum permissible operating pressure.

TM03 3015 5105

Maximum operating pressure and temperature range

Pump	Max. permissible operating pressure	Liquid temperature range
SR	175 [psi]	-13°F to 176°F
SF	175 [psi]	-13°F to 176°F

Operating range of the shaft seal

The operating range of the shaft seal depends on the operating pressure, pump type, type of shaft seal and liquid temperature. The following data apply to clean water and water containing glycol.

Shaft seal	Operating temperature	Maximum operating pressure
BBVE	-13°F to 176 °F	232 psi
BBVV	-4°F to 194 °F	232 psi

Examples of operating and inlet pressures

The values for operating and inlet pressures shown in the tables must not be considered individually but must always be compared, see the following examples:

Example 1:

The following pump type has been selected:
SR-G-40-90.

Max. operating pressure: **175 psi.**

Max. inlet pressure: **87 psi.**

Discharge pressure against a closed valve: **147 psi.**

Maximum allowable suction pressure for this application is **175-147 = 28 psi.**

Example 2:

The following pump has been selected:
SR-B-11-37.

Max. operating pressure: **175 psi.**

Max. inlet pressure: **87 psi.**

Discharge pressure against a closed valve: **61 psi.**

This pump is allowed to start at an inlet pressure of 87 psi, as the discharge pressure is only 61 psi. This results in an operating pressure of **61+87=148 psi.**

The maximum operating pressure of this pump is limited to 175 psi.

Selection of pumps

The selection of pumps should be based on:

- the pump duty point
- **sizing** data such as pressure loss as a result of **height** differences, friction loss in the pipework, pump efficiency, etc.
- pump materials
- pump connections
- the shaft seal.

1. Duty point of the pump

From a duty point, it is possible to select a pump on the basis of the curve charts shown in the pages "Performance curves/Technical data".

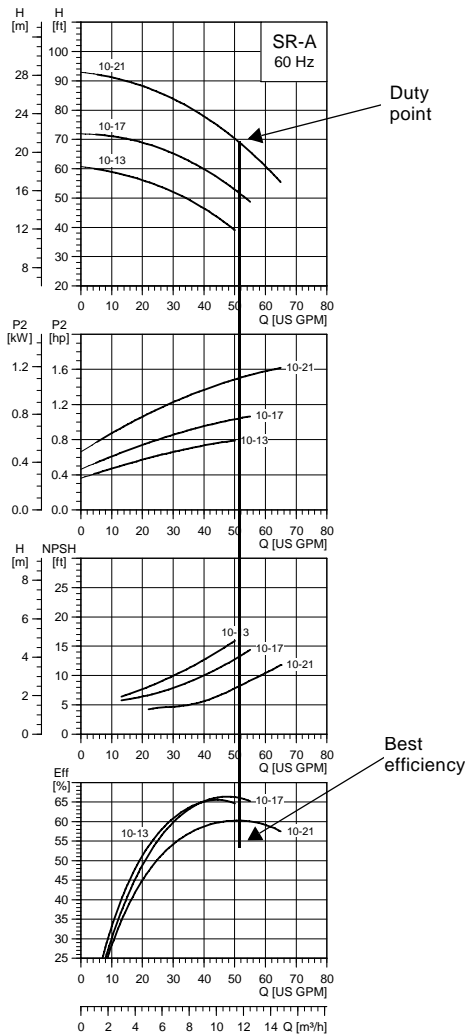


Fig. 5 Example of the duty point of an SR pump

TM02 0039 1303

2. Sizing data

When sizing a pump, the following must be taken into account:

- Required flow and pressure at the point of use.
- Pressure loss as a result of height differences (H_{geo}).
- Friction loss in the pipework (H_f).
It may be necessary to account for pressure loss in connection with long pipes, bends or valves, etc.
- Best efficiency at the estimated duty point.
- $NPSH_A$ and the $NPSH_R$ value.
For calculation of the NPSH value, see *Minimum inlet pressure - NPSHR*, page 13.

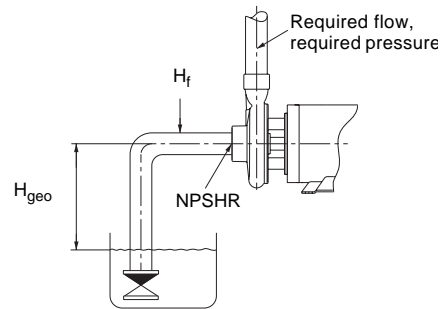


Fig. 6 Sizing data

TM03 3014 5105

Efficiency

Before determining the point of best efficiency, the operating pattern of the pump needs to be identified.

If the pump is expected always to operate at the same duty point, select a pump which is operating at a duty point corresponding with the best efficiency of the pump.

As the pump is sized on the basis of the highest possible flow, it is important always to have the duty point to the right of the optimum efficiency point (see fig. 5, range with check mark). This must be considered in order to keep efficiency high when the flow drops.

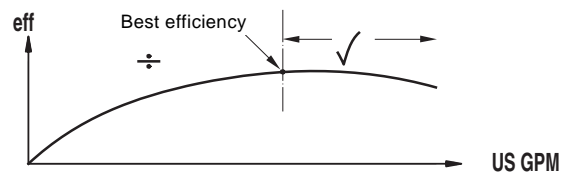


Fig. 7 Pump efficiency curve

TM02 8579 0504

3. Pump connection

Selection of pump connection depends on the operating pressure and pipework. See pages 8 and 14.

4. Shaft seal

As standard, the SR and SF range is fitted with a rubber bellows shaft seal suitable for most common applications.

The following key parameters must be taken into account when selecting the shaft seal:

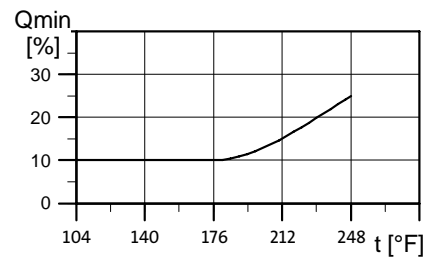
- type of pumped liquid
- liquid temperature
- maximum pressure.

Guidelines to performance curves

The guidelines below apply to the curves shown on the following pages:

1. The motors used for the measurements are standard motors (TEFC).
2. Measurements have been made with airless water at a temperature of 68°F.
3. The curves apply to a kinematic viscosity of $\nu = 1 \text{ cSt} (1 \text{ mm}^2/\text{s})$.
4. Due to the risk of overheating, the pumps should not be used at a flow below the minimum flow rate.
5. The QH curves apply to actual speed with the motor types mentioned at 60 Hz.

The curve below shows the minimum flow rate as a percentage of the nominal flow rate in relation to the liquid temperature.



TM03 2912 5105

Fig. 8 Minimum flow rate

How to read the curve charts

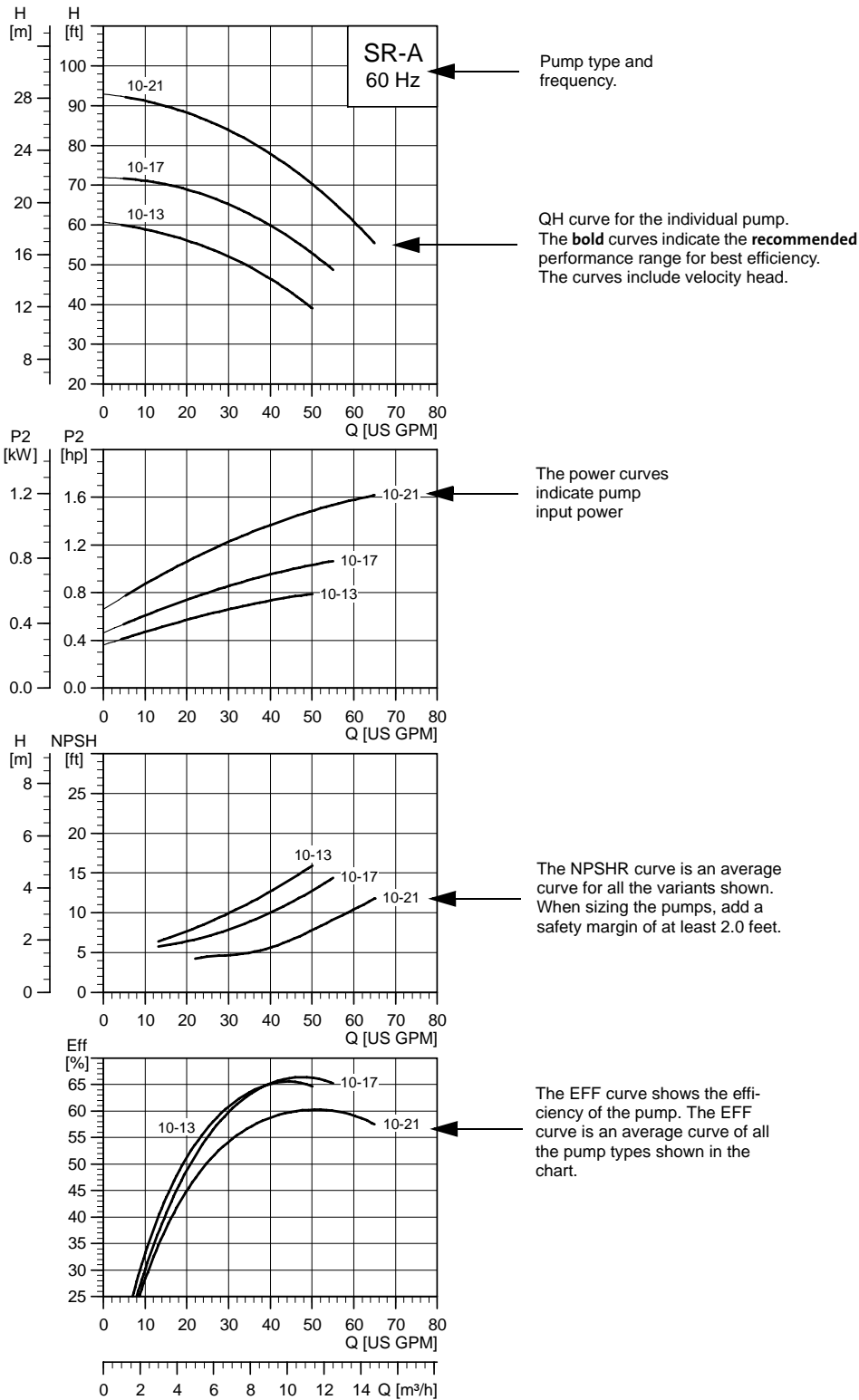


Fig. 9 How to read the curve charts

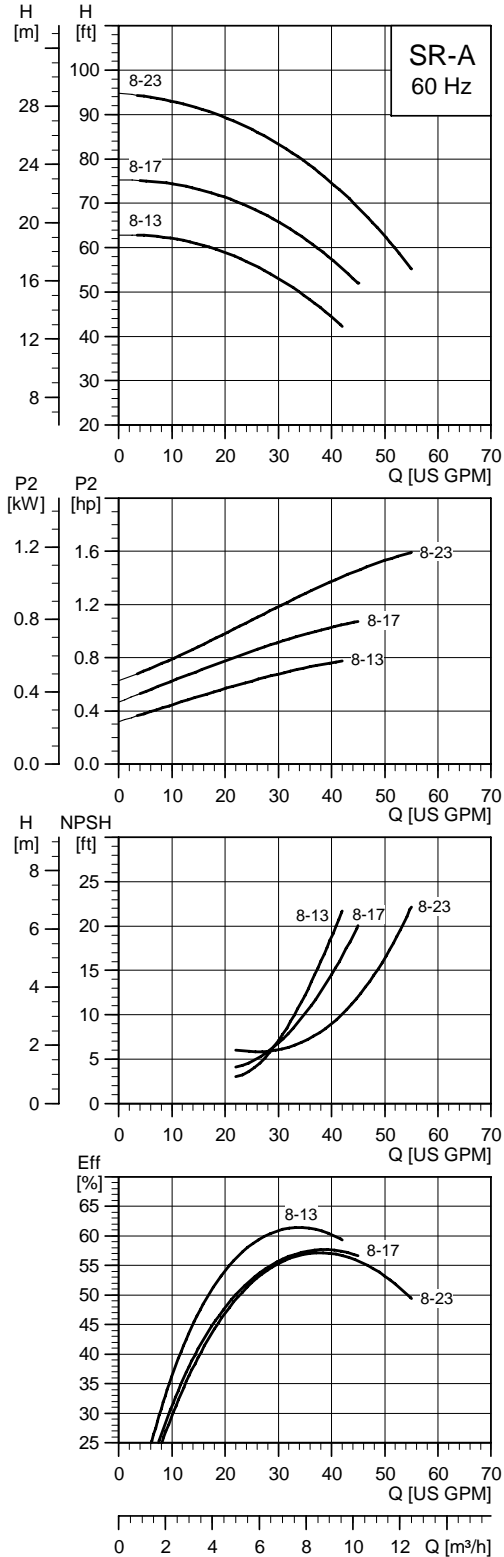
TM03 2987 5005

Performance curves/ Technical data

SR-A

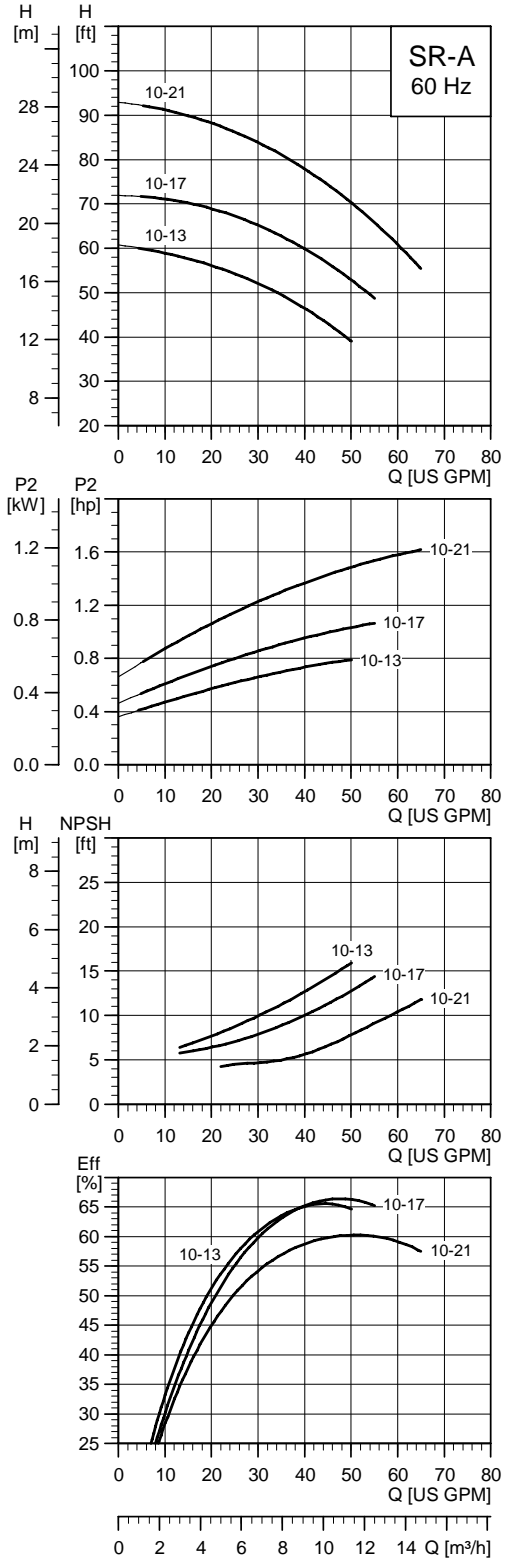
SR-A

Cast iron impeller



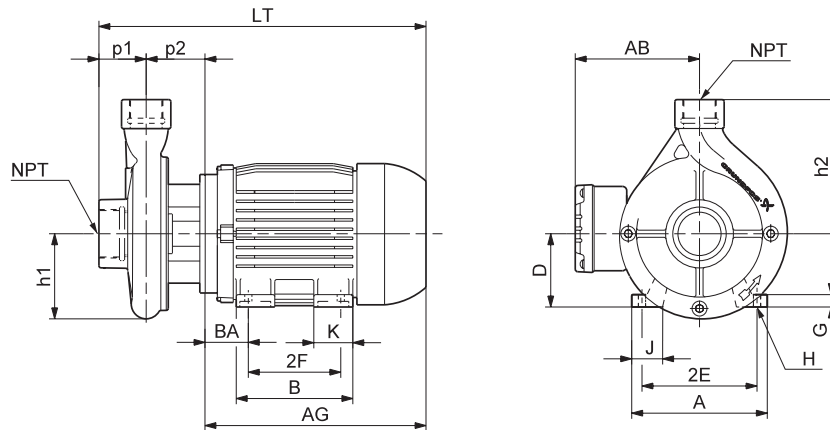
TM03 2980 5005

Bronze impeller



TM03 2987 5005

Dimensional sketch



TM03 1380 1905

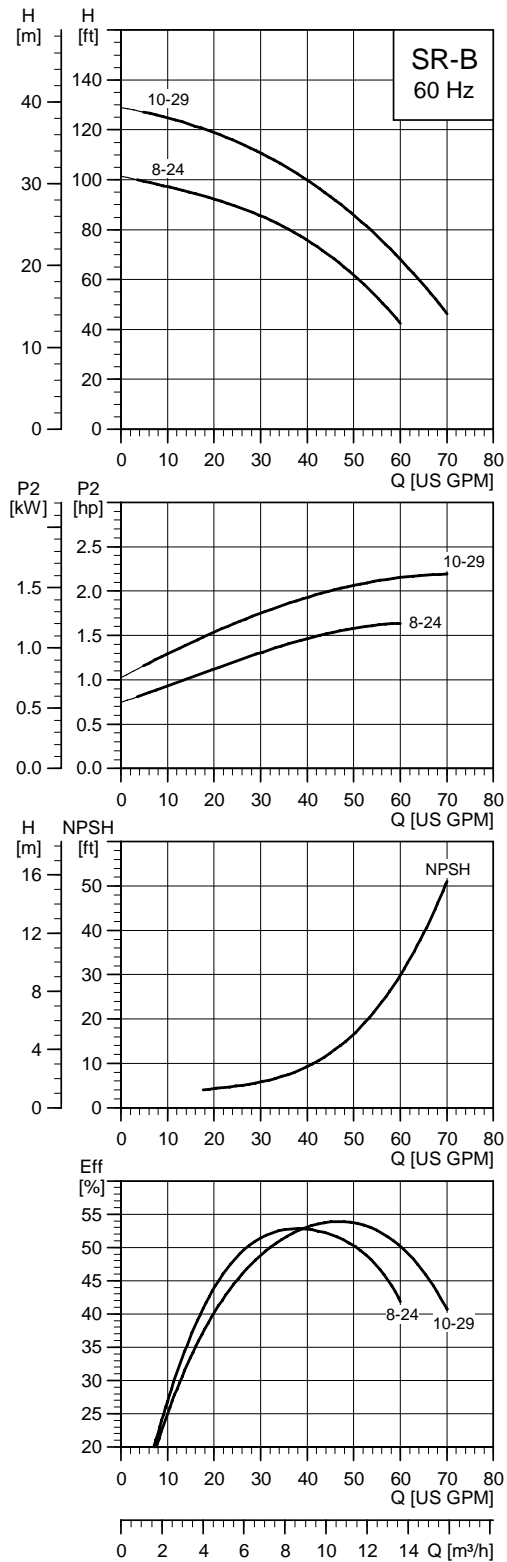
Dimensions and weights

Pump type	Motor [hp]	Phases		Motor dimensions [inch]										
		1	3	A	AB	B	BA	D	2E	2F	H	G	J	K
SR-A-8-13	0.75	●		6.54	5.43	4.02	2.56	3.50	4.87	3.00	0.34	-	1.22	-
SR-A-8-17	1	●		6.54	5.43	4.02	2.56	3.50	4.87	3.00	0.34	-	1.22	-
SR-A-8-23	1.5	●		6.54	5.43	4.02	2.56	3.50	4.87	3.00	0.34	-	1.22	-
SR-A-10-13	0.75	●		6.54	5.43	4.02	2.56	3.50	4.87	3.00	0.34	-	1.22	-
SR-A-10-17	1	●		6.54	5.43	4.02	2.56	3.50	4.87	3.00	0.34	-	1.22	-
SR-A-10-21	1.5	●		6.54	5.43	4.02	2.56	3.50	4.87	3.00	0.34	-	1.22	-
SR-A-8-13	0.75		●	6.54	5.43	4.02	2.56	3.50	4.87	3.00	0.34	-	1.22	-
SR-A-8-17	1		●	6.54	5.43	4.02	2.56	3.50	4.87	3.00	0.34	-	1.22	-
SR-A-8-23	1.5		●	6.54	5.43	4.02	2.56	3.50	4.87	3.00	0.34	-	1.22	-
SR-A-10-13	0.75		●	6.54	5.43	4.02	2.56	3.50	4.87	3.00	0.34	-	1.22	-
SR-A-10-17	1		●	6.54	5.43	4.02	2.56	3.50	4.87	3.00	0.34	-	1.22	-
SR-A-10-21	1.5		●	6.54	5.43	4.02	2.56	3.50	4.87	3.00	0.34	-	1.22	-

Pump type	Motor [hp]	Phases		Pump dimensions [inch]						Suction port		Cast iron		Bronze	
		1	3	p1	p2	h1	h2	AG	LT	Net weight [lbs]	Gross weight [lbs]	Net weight [lbs]	Gross weight [lbs]		
SR-A-8-13	0.75	●		1.81	2.28	3.27	5.12	9.05	13.15	1.5	1	37	50	-	-
SR-A-8-17	1	●		1.81	2.28	3.27	5.12	10.23	14.33	1.5	1	42	55	-	-
SR-A-8-23	1.5	●		1.81	2.28	3.27	5.12	10.23	14.33	1.5	1	48	60	-	-
SR-A-10-13	0.75	●		1.81	2.28	3.27	5.12	9.05	13.15	1.5	1	-	-	37	50
SR-A-10-17	1	●		1.81	2.28	3.27	5.12	10.23	14.33	1.5	1	-	-	42	55
SR-A-10-21	1.5	●		1.81	2.28	3.27	5.12	10.23	14.33	1.5	1	-	-	48	60
SR-A-8-13	0.75		●	1.81	2.28	3.27	5.12	9.45	13.54	1.5	1	37	50	-	-
SR-A-8-17	1		●	1.81	2.28	3.27	5.12	9.45	13.54	1.5	1	40	53	-	-
SR-A-8-23	1.5		●	1.81	2.28	3.27	5.12	9.45	13.54	1.5	1	45	57	-	-
SR-A-10-13	0.75		●	1.81	2.28	3.27	5.12	9.45	13.54	1.5	1	-	-	37	50
SR-A-10-17	1		●	1.81	2.28	3.27	5.12	9.45	13.54	1.5	1	-	-	40	53
SR-A-10-21	1.5		●	1.81	2.28	3.27	5.12	9.45	13.54	1.5	1	-	-	45	57

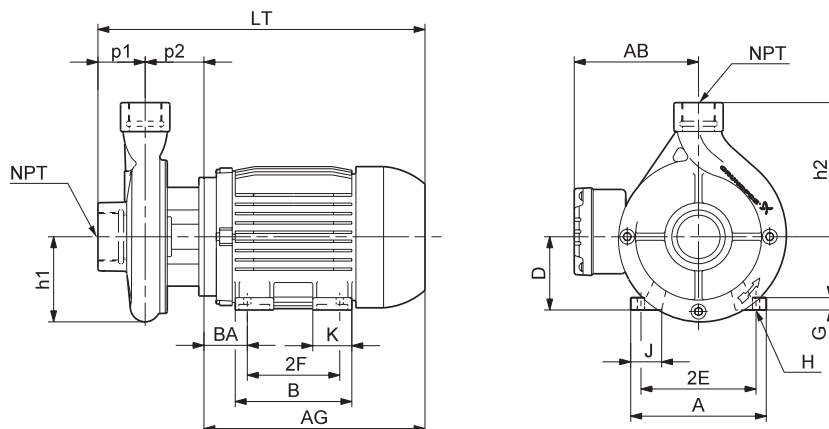
SR-B

Brass impeller



TM03 2995 5005

Dimensional sketch



TM03 1380 1905

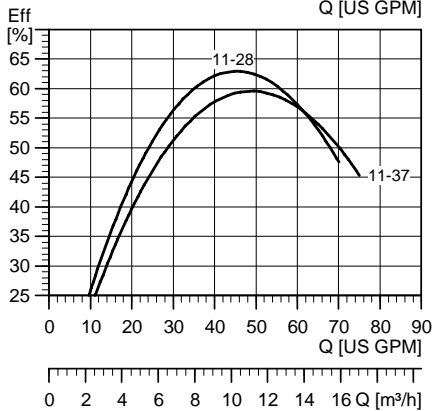
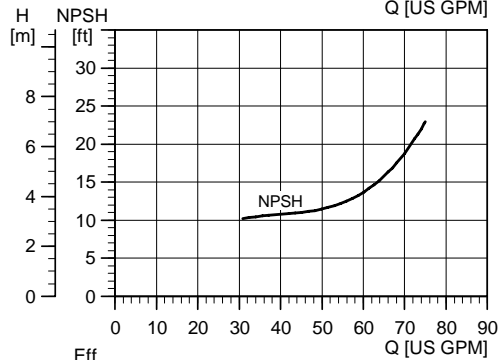
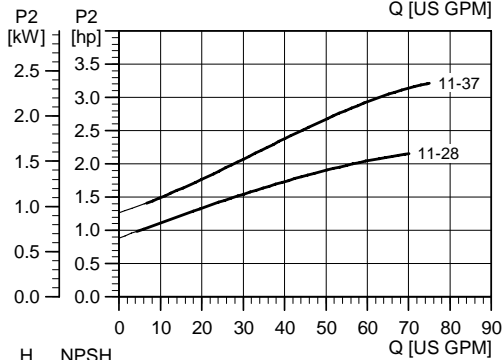
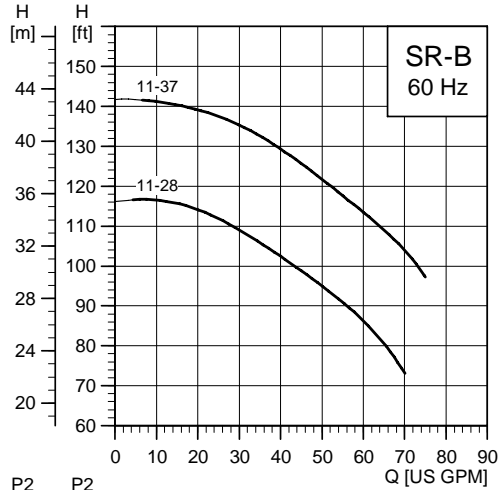
Dimensions and weights

Pump type	Motor [hp]	Phases		Motor dimensions [inch]										
		1	3	A	AB	B	BA	D	2E	2F	H	G	J	K
SR-B-8-24	1.5	●		6.54	5.43	4.02	2.56	3.50	4.87	3.00	0.34	-	1.22	-
SR-B-10-29	2	●		6.54	5.43	6.50	2.56	3.50	4.87	3.00	0.34	-	1.22	-
SR-B-8-24	1.5		●	6.54	5.43	4.02	2.56	3.50	4.87	3.00	0.34	-	1.22	-
SR-B-10-29	2		●	6.54	5.43	4.02	2.56	3.50	4.87	3.00	0.34	-	1.22	-

Pump type	Motor [hp]	Phases		Pump dimensions [inch]					Suction port		Cast iron		Brass		
		1	3	p1	p2	h1	h2	AG	LT	Net weight [lbs]	Gross weight [lbs]	Net weight [lbs]	Gross weight [lbs]		
SR-B-8-24	1.5	●		1.61	3.25	3.15	4.41	10.23	15.09	1.5	1	-	-	50	63
SR-B-10-29	2	●		1.61	3.25	3.15	4.41	11.41	16.28	1.5	1	-	-	53	65
SR-B-8-24	1.5		●	1.61	3.25	3.15	4.41	9.45	14.31	1.5	1	-	-	47	60
SR-B-10-29	2		●	1.61	3.25	3.15	4.41	10.63	15.49	1.5	1	-	-	47	59

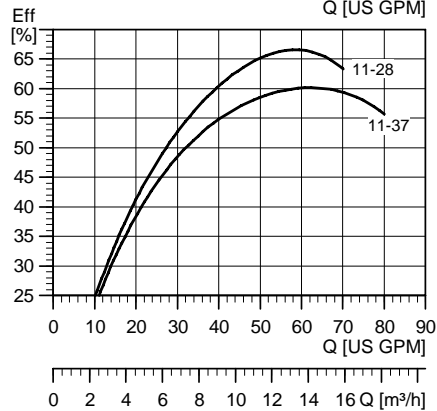
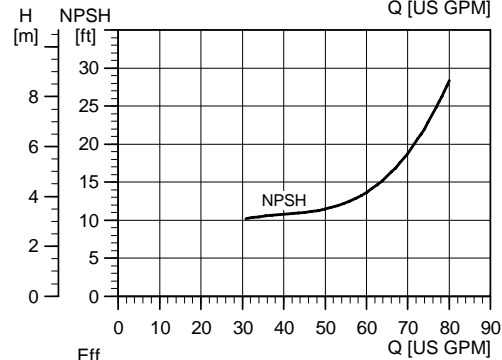
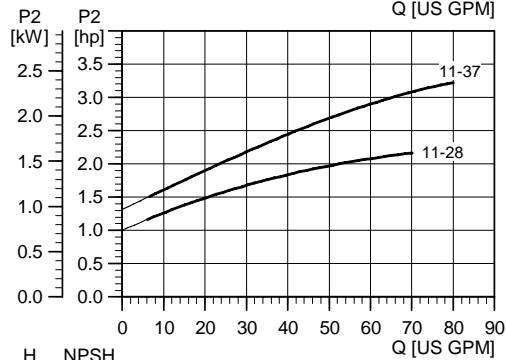
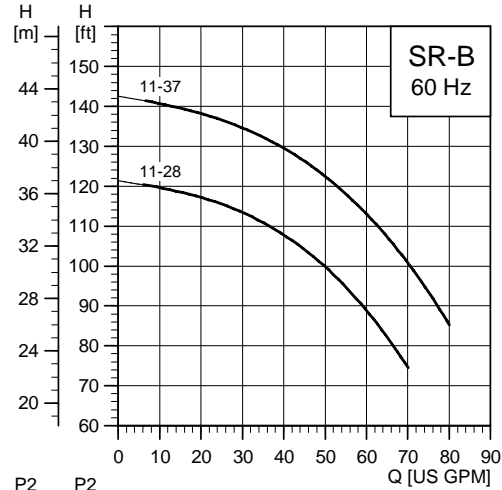
SR-B

Cast iron impeller



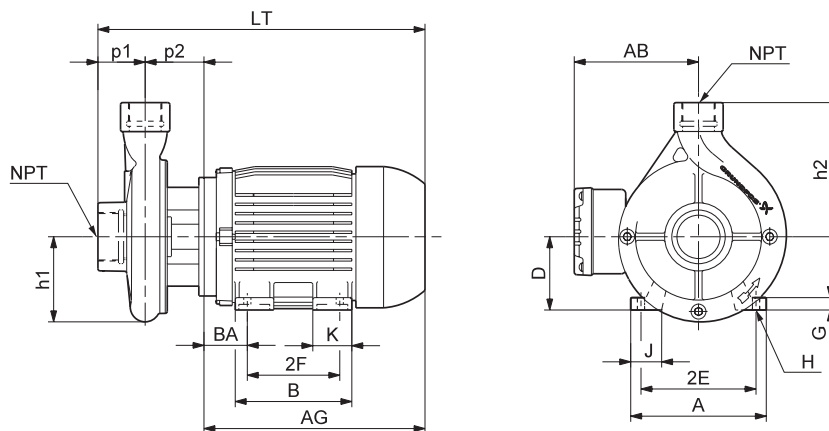
TM03 2981 5005

Bronze impeller



TM03 2988 5005

Dimensional sketch



TM03 1380 1905

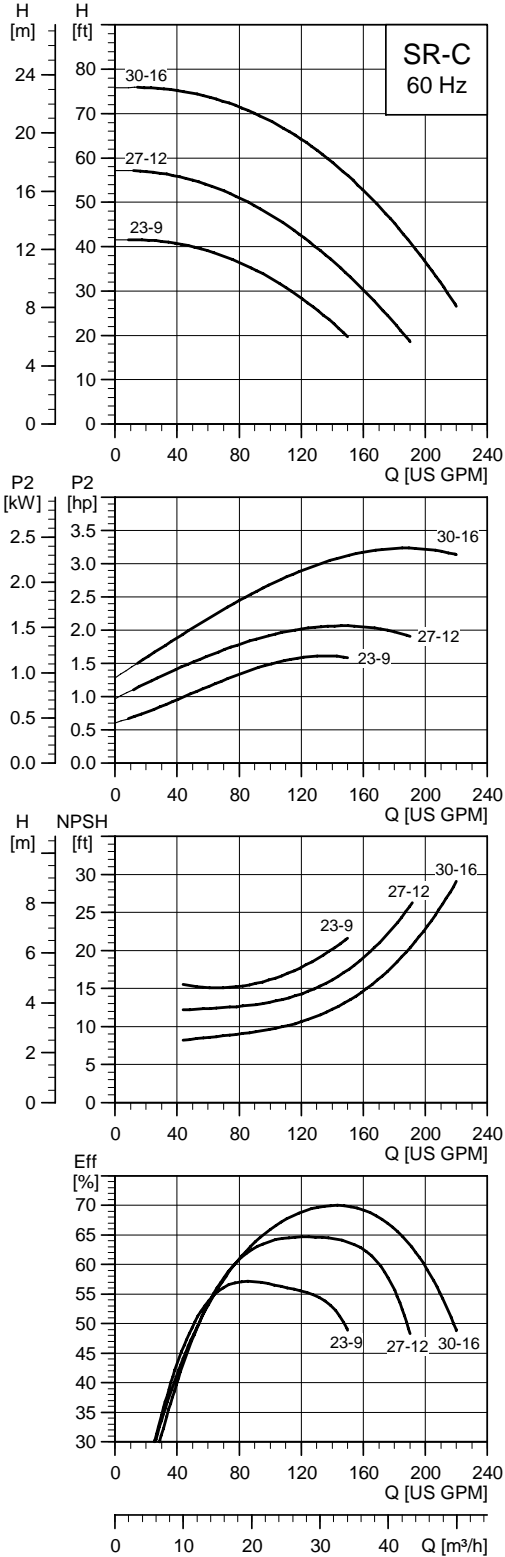
Dimensions and weights

Pump type	Motor [hp]	Phases		Motor dimensions [inch]										
		1	3	A	AB	B	BA	D	2E	2F	H	G	J	K
SR-B-11-28	2	●		6.54	5.43	6.50	2.56	3.50	4.87	3.00	0.34	-	1.22	-
SR-B-11-37	3	●		6.54	5.43	6.50	2.56	3.50	4.87	5.00	0.34	-	1.22	-
SR-B-11-28	2		●	6.54	5.43	4.02	2.56	3.50	4.87	3.00	0.34	-	1.22	-
SR-B-11-37	3		●	6.54	5.43	6.50	2.56	3.50	4.87	5.00	0.34	-	1.22	-

Pump type	Motor [hp]	Phases		Pump dimensions [inch]						Cast iron		Bronze			
		1	3	p1	p2	h1	h2	AG	LT	Suction port	Discharge port	Net weight [lbs]	Gross weight [lbs]	Net weight [lbs]	Gross weight [lbs]
SR-B-11-28	2	●		1.61	3.25	3.15	4.41	11.41	16.28	1.5	1	57	70	57	70
SR-B-11-37	3	●		1.61	3.25	3.15	4.41	11.81	16.67	1.5	1	66	78	66	78
SR-B-11-28	2		●	1.61	3.25	3.15	4.41	10.63	15.49	1.5	1	51	64	51	64
SR-B-11-37	3		●	1.61	3.25	3.15	4.41	11.81	16.67	1.5	1	57	70	57	70

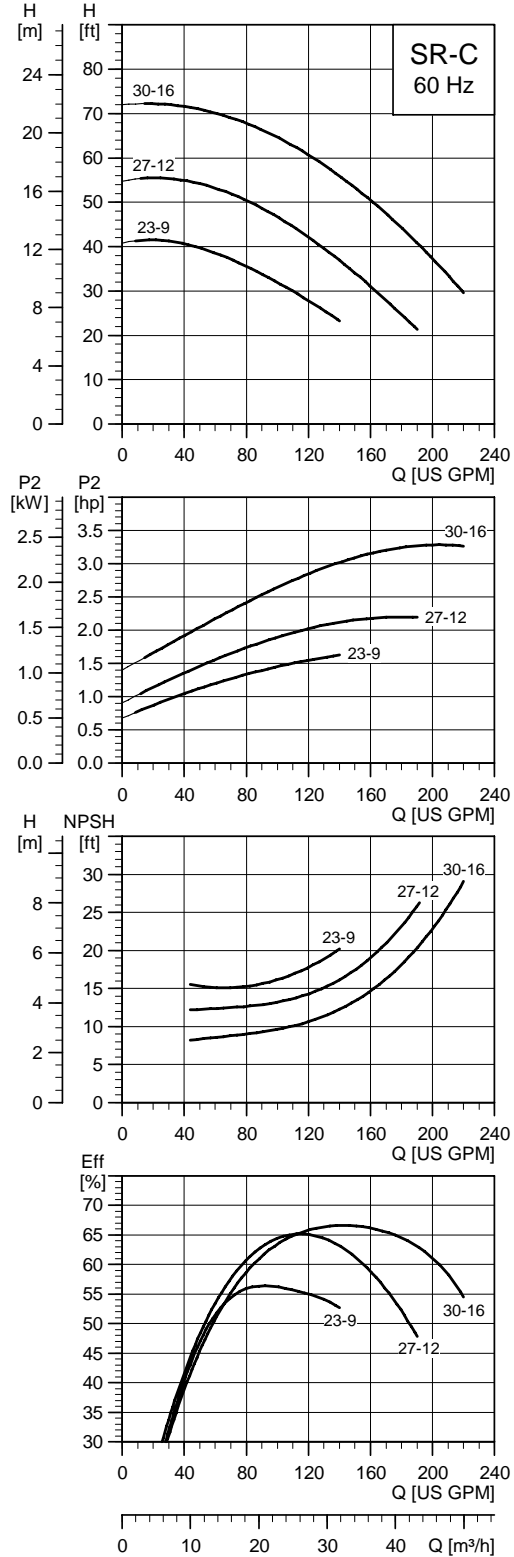
SR-C

Cast iron impeller



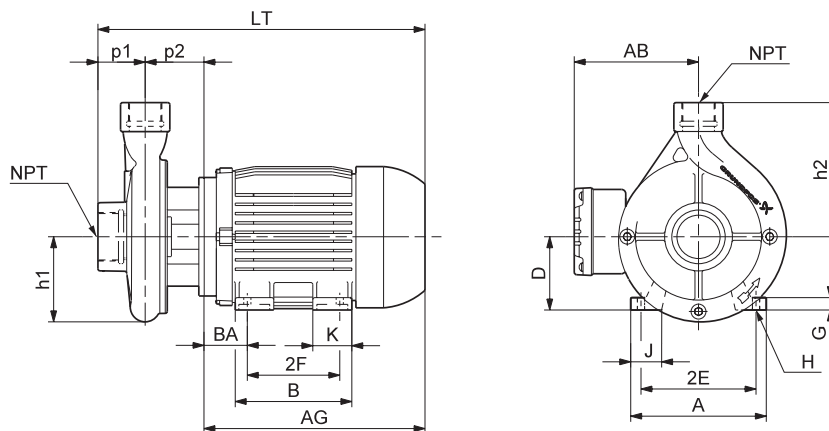
TM03 2982 5005

Bronze impeller



TM03 2989 5005

Dimensional sketch



TM03 1380 1905

Dimensions and weights

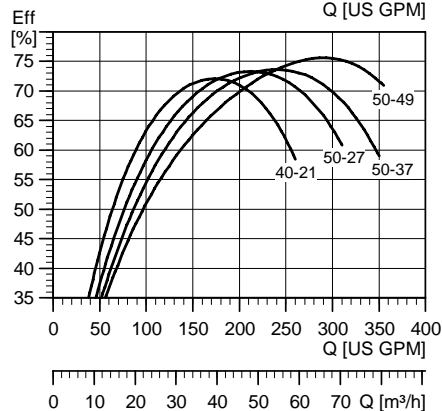
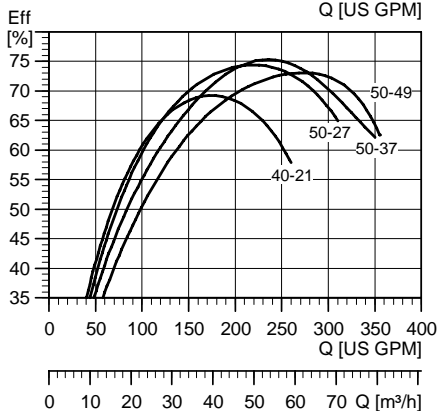
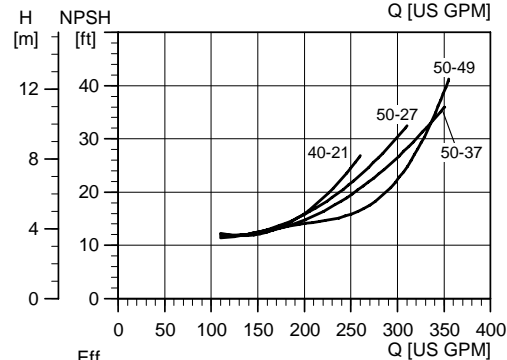
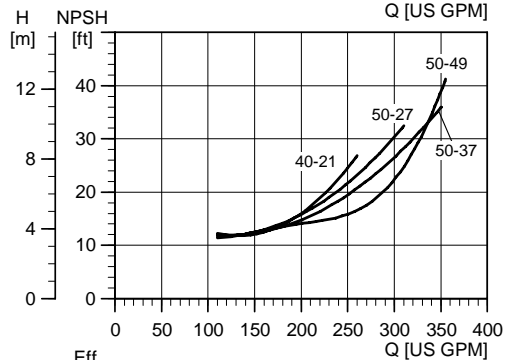
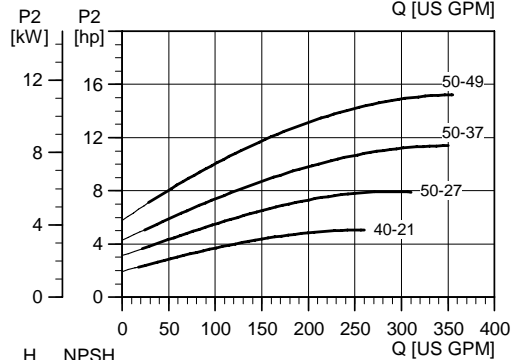
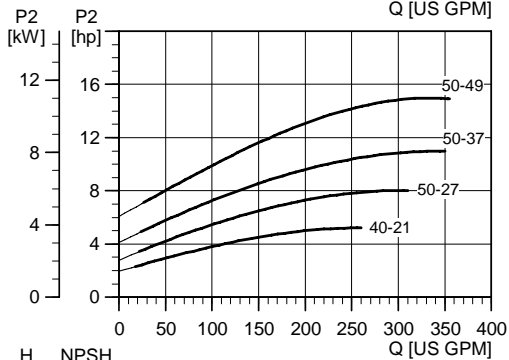
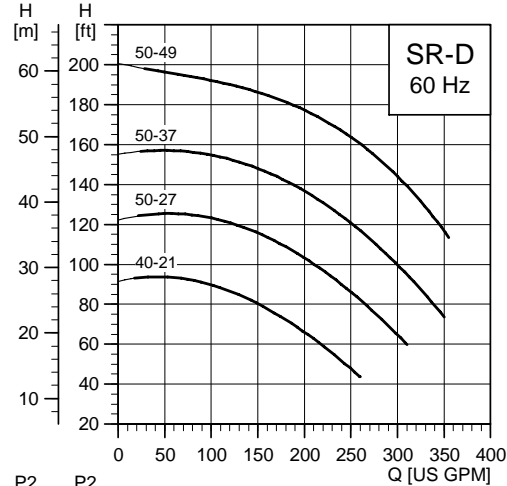
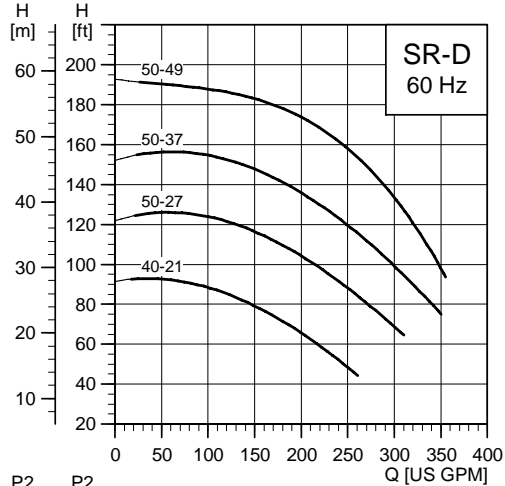
Pump type	Motor [hp]	Phases		Motor dimensions [inch]										
		1	3	A	AB	B	BA	D	2E	2F	H	G	J	K
SR-C-23-9	1.5	●		6.54	5.43	4.02	2.56	3.50	4.87	3.00	0.34	-	1.22	-
SR-C-27-12	2	●		6.54	5.43	6.50	2.56	3.50	4.87	3.00	0.34	-	1.22	-
SR-C-30-16	3	●		6.54	5.43	6.50	2.56	3.50	4.87	5.00	0.34	-	1.22	-
SR-C-23-9	1.5		●	6.54	5.43	4.02	2.56	3.50	4.87	3.00	0.34	-	1.22	-
SR-C-27-12	2		●	6.54	5.43	4.02	2.56	3.50	4.87	3.00	0.34	-	1.22	-
SR-C-30-16	3		●	6.54	5.43	6.50	2.56	3.50	4.87	5.00	0.34	-	1.22	-

Pump type	Motor [hp]	Phases		Pump dimensions [inch]					Cast iron		Bronze				
		1	3	p1	p2	h1	h2	AG	LT	Suction port	Discharge port	Net weight [lbs]	Gross weight [lbs]	Net weight [lbs]	Gross weight [lbs]
SR-C-23-9	1.5	●		2.99	3.75	3.86	6.30	10.23	16.97	2.5	2	55	67	55	67
SR-C-27-12	2	●		2.99	3.75	3.86	6.30	11.41	18.15	2.5	2	62	75	62	75
SR-C-30-16	3	●		2.99	3.75	3.86	6.30	11.81	18.55	2.5	2	70	83	70	83
SR-C-23-9	1.5		●	2.99	3.75	3.86	6.30	9.45	16.19	2.5	2	52	64	52	64
SR-C-27-12	2		●	2.99	3.75	3.86	6.30	10.63	17.37	2.5	2	56	69	56	69
SR-C-30-16	3		●	2.99	3.75	3.86	6.30	11.81	18.55	2.5	2	61	74	61	74

SR-D

Cast iron impeller

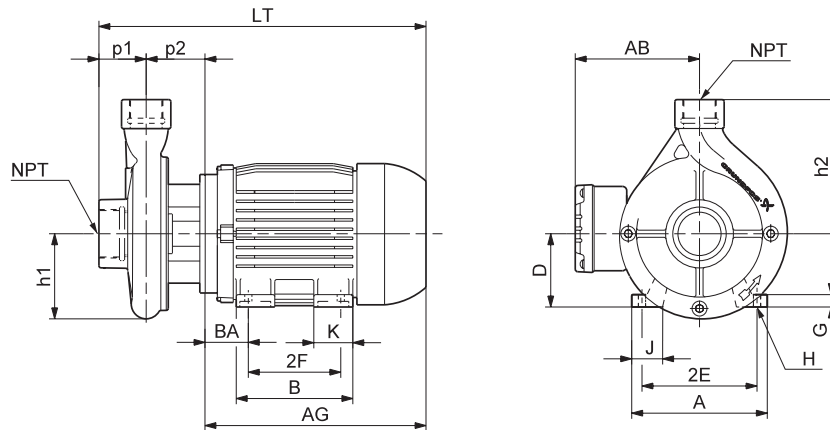
Bronze impeller



TM03 2983 5005

TM03 2990 5005

Dimensional sketch



TM03 1380 1905

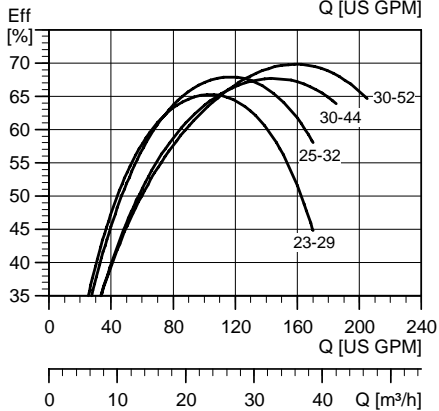
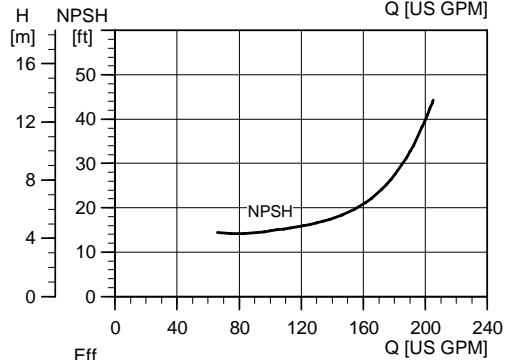
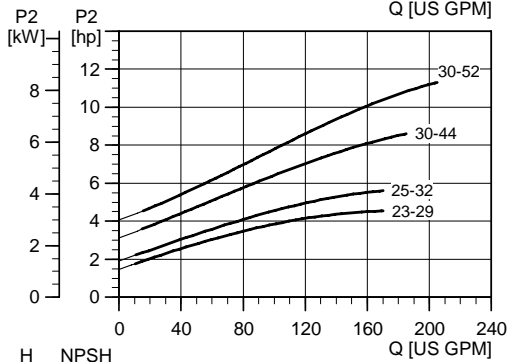
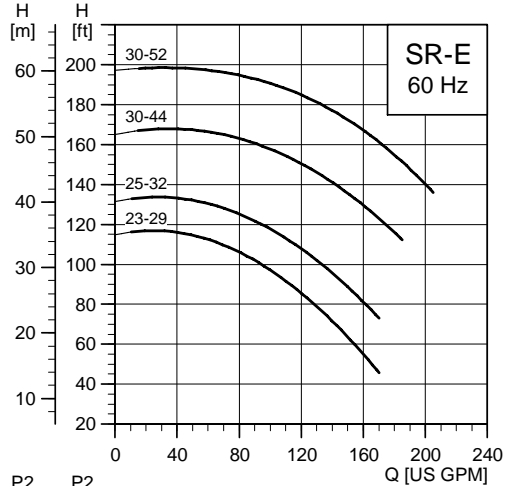
Dimensions and weights

Pump type	Motor [hp]	Phases			Motor dimensions [inch]									
		1	3	A	AB	B	BA	D	2E	2F	H	G	J	K
SR-D-40-21	5	●		8.66	7.84	6.97	2.76	4.50	7.50	5.50	0.41	0.72	1.89	1.97
SR-D-50-27	7.5	●		9.76	8.07	7.36	3.50	5.25	8.50	5.50	0.41	0.83	2.01	2.17
SR-D-50-37	10	●		9.76	8.07	8.86	3.50	5.25	8.50	7.00	0.41	0.83	2.01	2.17
SR-D-40-21	5		●	8.66	7.09	6.97	2.76	4.50	7.50	5.50	0.41	0.72	1.89	1.97
SR-D-50-27	7.5		●	9.76	8.15	7.36	3.50	5.25	8.50	5.50	0.41	0.83	2.01	2.17
SR-D-50-37	10		●	9.76	8.15	8.86	3.26	5.25	8.50	7.00	0.41	0.83	2.01	2.17
SR-D-50-49	15		●	9.76	8.15	8.86	3.26	5.25	8.50	7.00	0.41	0.83	2.01	2.17

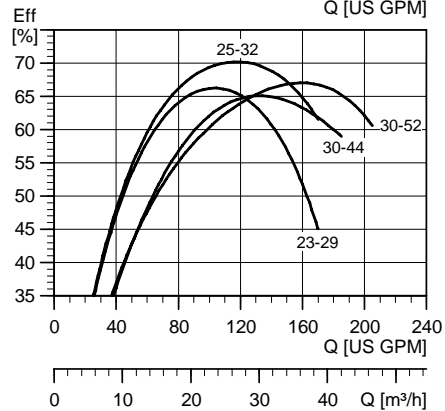
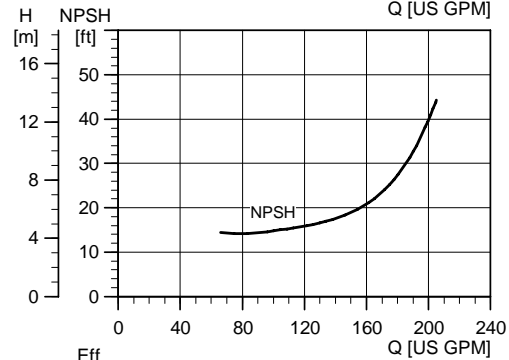
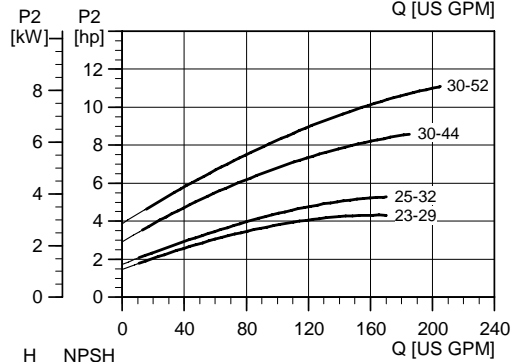
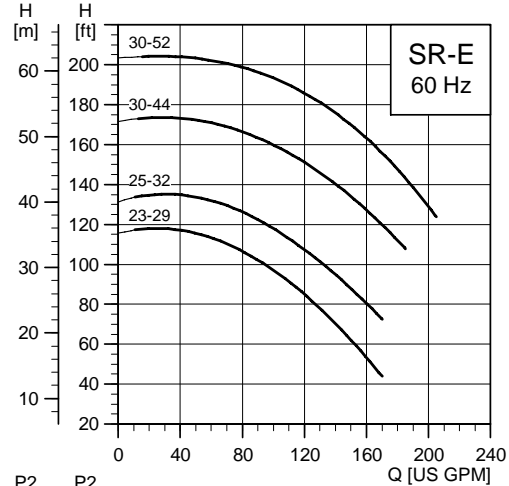
Pump type	Motor [hp]	Phases			Pump dimensions [inch]					Cast iron		Bronze			
		1	3	p1	p2	h1	h2	AG	LT	Suction port	Discharge port	Net weight [lbs]	Gross weight [lbs]	Net weight [lbs]	Gross weight [lbs]
SR-D-40-21	5	●		3.03	4.02	5.00	8.46	12.95	20.00	2.5	2	128	149	128	149
SR-D-50-27	7.5	●		3.03	3.94	5.00	8.46	14.40	21.37	2.5	2	185	206	185	206
SR-D-50-37	10	●		3.03	3.94	5.00	8.46	15.89	22.87	2.5	2	193	215	193	215
SR-D-40-21	5		●	3.03	4.02	5.00	8.46	12.76	19.81	2.5	2	111	132	111	132
SR-D-50-27	7.5		●	3.03	3.94	5.00	8.46	14.42	21.40	2.5	2	170	192	170	192
SR-D-50-37	10		●	3.03	3.94	5.00	8.46	15.91	22.89	2.5	2	189	211	189	211
SR-D-50-49	15		●	3.03	3.94	5.00	8.46	15.91	22.89	2.5	2	201	223	201	223

SR-E

Cast iron impeller



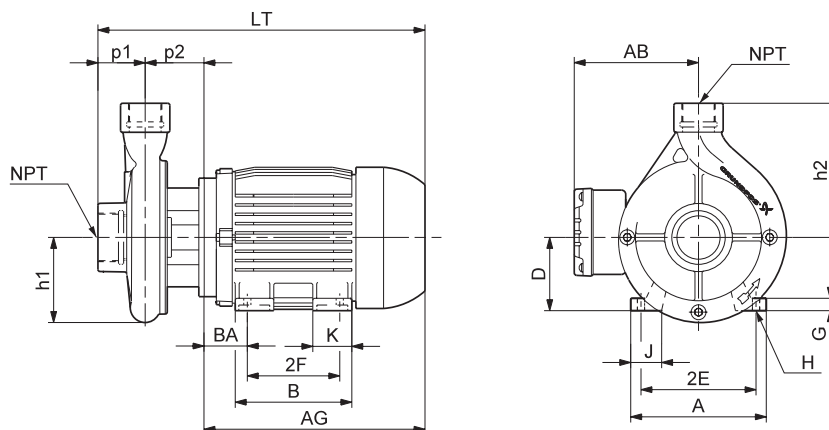
Bronze impeller



TM03 2984 5005

TM03 2991 5005

Dimensional sketch



TM03 1360 1905

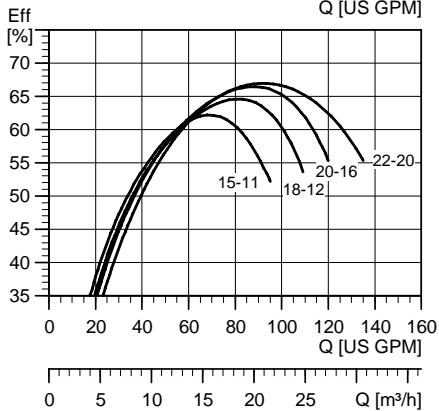
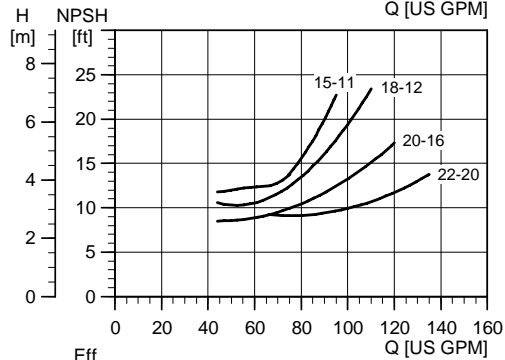
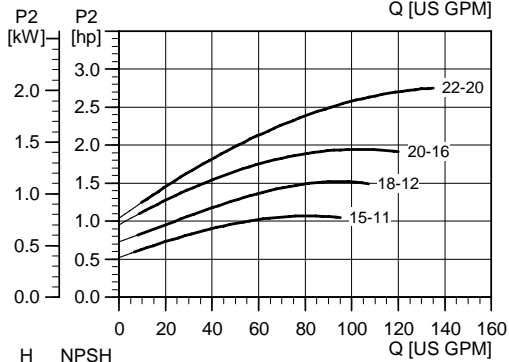
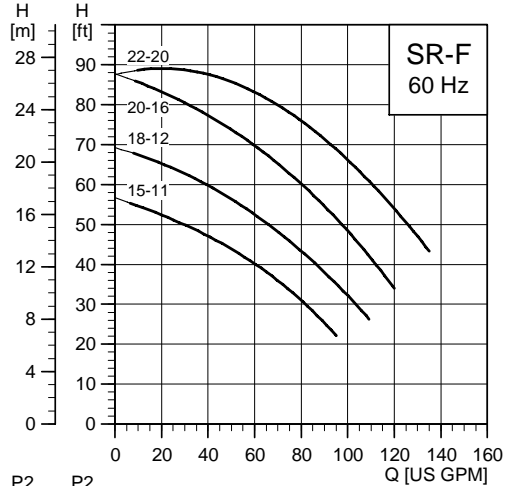
Dimensions and weights

Pump type	Motor [hp]	Phases		Motor dimensions [inch]										
		1	3	A	AB	B	BA	D	2E	2F	H	G	J	K
SR-E-23-29	5	●		8.66	7.84	6.97	2.76	4.50	7.50	5.50	0.41	0.72	1.89	1.97
SR-E-25-32	5	●		8.66	7.84	6.97	2.76	4.50	7.50	5.50	0.41	0.72	1.89	1.97
SR-E-30-44	7.5	●		9.76	8.07	7.36	3.50	5.25	8.50	5.50	0.41	0.83	2.01	2.17
SR-E-30-52	10	●		9.76	8.07	8.86	3.50	5.25	8.50	7.00	0.41	0.83	2.01	2.17
SR-E-23-29	5		●	8.66	7.09	6.97	2.76	4.50	7.50	5.50	0.41	0.72	1.89	1.97
SR-E-25-32	5		●	8.66	7.09	6.97	2.76	4.50	7.50	5.50	0.41	0.72	1.89	1.97
SR-E-30-44	7.5		●	9.76	8.15	7.36	3.50	5.25	8.50	5.50	0.41	0.83	2.01	2.17
SR-E-30-52	10		●	9.76	8.15	8.86	3.26	5.25	8.50	7.00	0.41	0.83	2.01	2.17

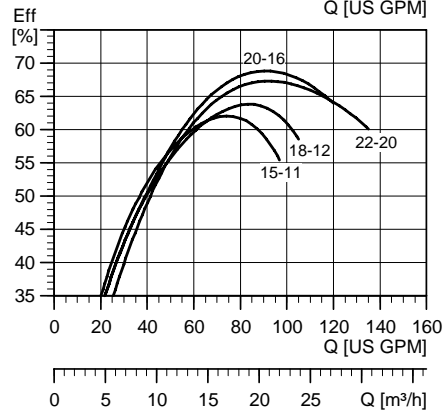
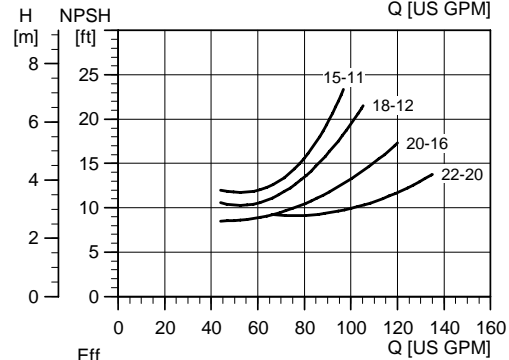
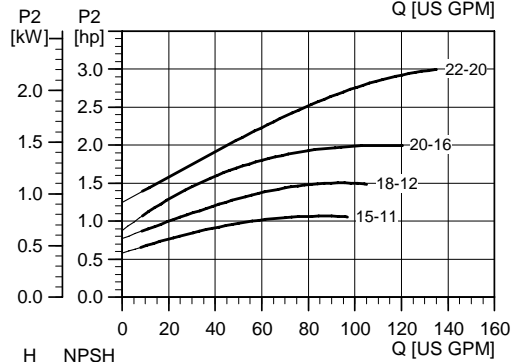
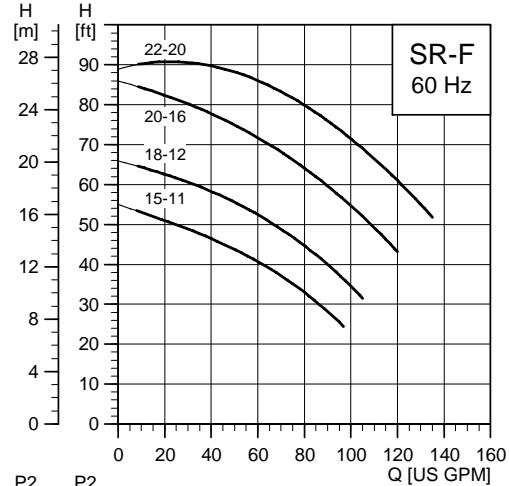
Pump type	Motor [hp]	Phases		Pump dimensions [inch]					Suction port		Discharge port		Cast iron		Bronze	
		1	3	p1	p2	h1	h2	AG	LT	Net weight [lbs]	Gross weight [lbs]	Net weight [lbs]	Gross weight [lbs]			
SR-E-23-29	5	●		2.44	3.75	4.57	7.28	12.95	19.14	2	1.5	127	148	127	148	
SR-E-25-32	5	●		2.44	3.75	4.57	7.28	12.95	19.14	2	1.5	127	148	127	148	
SR-E-30-44	7.5	●		2.44	3.75	4.57	7.28	14.40	20.59	2	1.5	184	206	184	206	
SR-E-30-52	10	●		2.44	3.75	4.57	7.28	15.89	22.08	2	1.5	193	215	193	215	
SR-E-23-29	5		●	2.44	3.75	4.57	7.28	12.76	18.95	2	1.5	116	138	116	138	
SR-E-25-32	5		●	2.44	3.75	4.57	7.28	12.76	18.95	2	1.5	117	138	117	138	
SR-E-30-44	7.5		●	2.44	3.75	4.57	7.28	14.42	20.61	2	1.5	170	192	170	192	
SR-E-30-52	10		●	2.44	3.75	4.57	7.28	15.91	22.10	2	1.5	187	209	187	209	

SR-F

Cast iron impeller



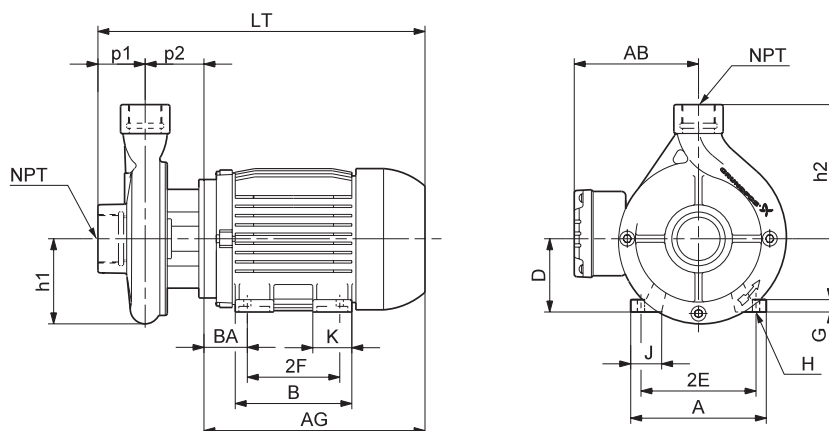
Bronze impeller



TM03 2986 5005

TM03 2994 5005

Dimensional sketch



TM03 1380 1905

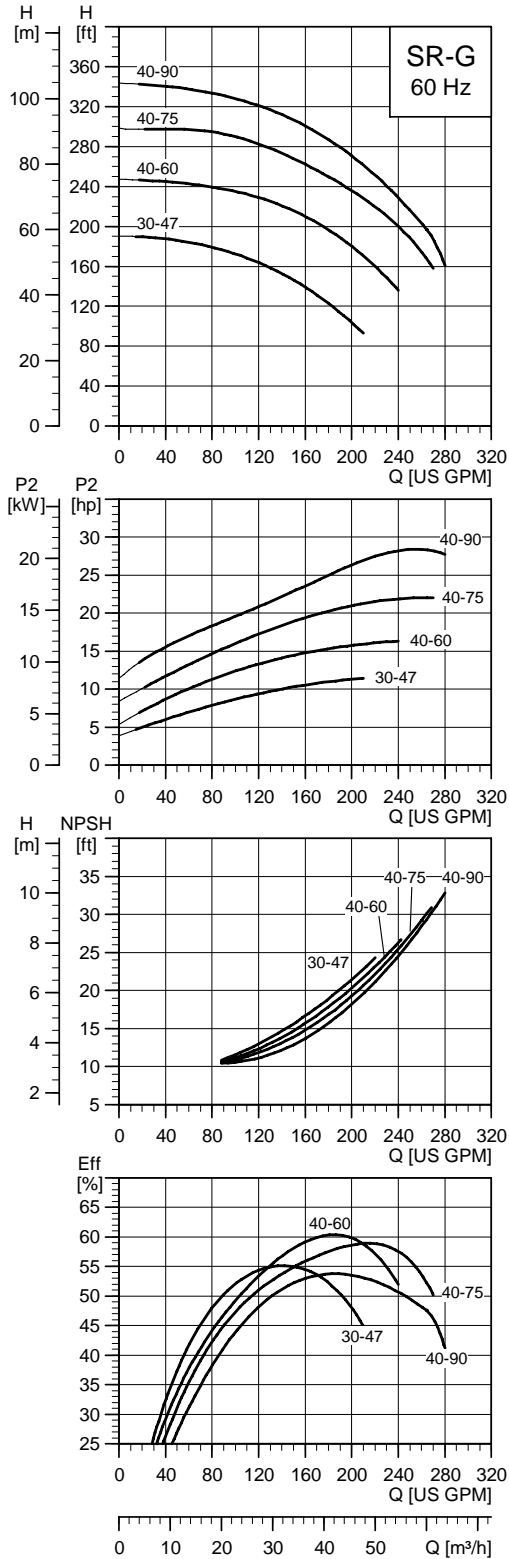
Dimensions and weights

Pump type	Motor [hp]	Phases		Motor dimensions [inch]										
		1	3	A	AB	B	BA	D	2E	2F	H	G	J	K
SR-F-15-11	1	●		6.54	5.43	4.02	2.56	3.50	4.87	3.00	0.34	-	1.22	-
SR-F-18-12	1.5	●		6.54	5.43	4.02	2.56	3.50	4.87	3.00	0.34	-	1.22	-
SR-F-20-16	2	●		6.54	5.43	6.50	2.56	3.50	4.87	3.00	0.34	-	1.22	-
SR-F-22-20	3	●		6.54	5.43	6.50	2.56	3.50	4.87	5.00	0.34	-	1.22	-
SR-F-15-11	1		●	6.54	5.43	4.02	2.56	3.50	4.87	3.00	0.34	-	1.22	-
SR-F-18-12	1.5		●	6.54	5.43	4.02	2.56	3.50	4.87	3.00	0.34	-	1.22	-
SR-F-20-16	2		●	6.54	5.43	4.02	2.56	3.50	4.87	3.00	0.34	-	1.22	-
SR-F-22-20	3		●	6.54	5.43	6.50	2.56	3.50	4.87	3.00	0.34	-	1.22	-

Pump type	Motor [hp]	Phases		Pump dimensions [inch]					Cast iron		Bronze				
		1	3	p1	p2	h1	h2	AG	LT	Suction port	Discharge port	Net weight [lbs]	Gross weight [lbs]	Net weight [lbs]	Gross weight [lbs]
SR-F-15-11	1	●		2.13	2.48	4.02	6.10	10.23	14.84	2	1.5	49	62	49	62
SR-F-18-12	1.5	●		2.13	2.48	4.02	6.10	10.23	14.84	2	1.5	52	65	52	65
SR-F-20-16	2	●		2.13	2.48	4.02	6.10	11.41	16.02	2	1.5	60	73	60	73
SR-F-22-20	3	●		2.13	2.48	4.02	6.10	11.81	16.41	2	1.5	68	80	68	80
SR-F-15-11	1		●	2.13	2.48	4.02	6.10	9.45	14.06	2	1.5	44	57	44	57
SR-F-18-12	1.5		●	2.13	2.48	4.02	6.10	9.45	14.06	2	1.5	49	62	49	62
SR-F-20-16	2		●	2.13	2.48	4.02	6.10	10.63	15.24	2	1.5	53	66	53	66
SR-F-22-20	3		●	2.13	2.48	4.02	6.10	11.81	16.42	2	1.5	59	72	59	72

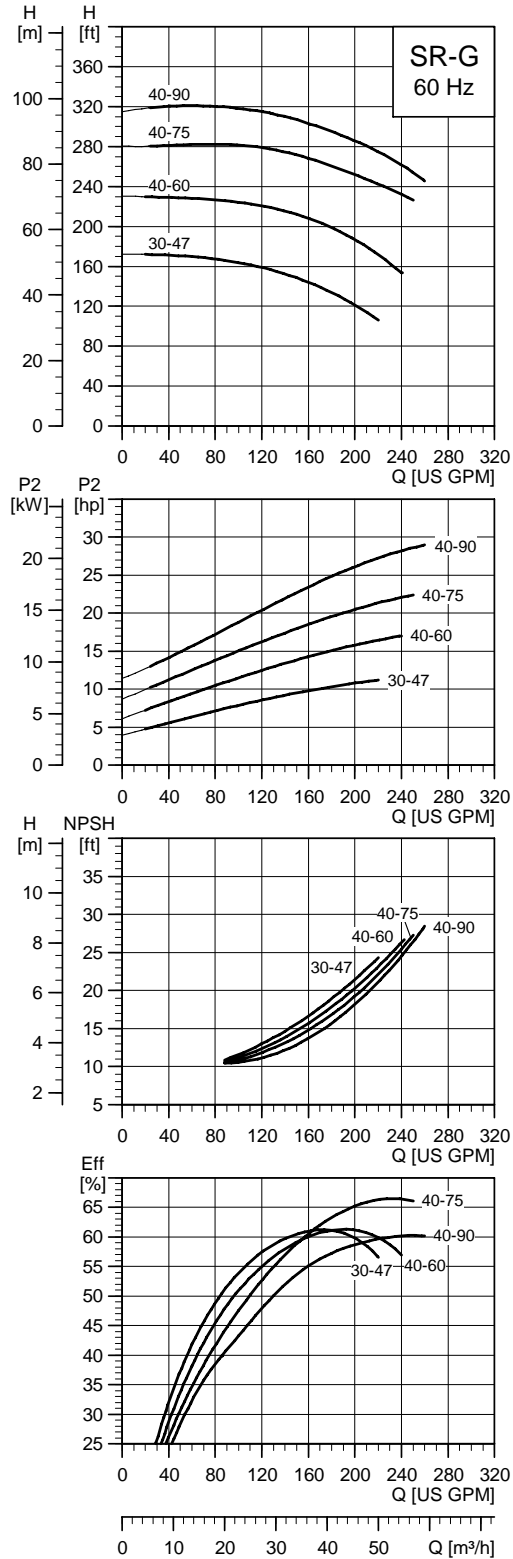
SR-G

Cast iron impeller



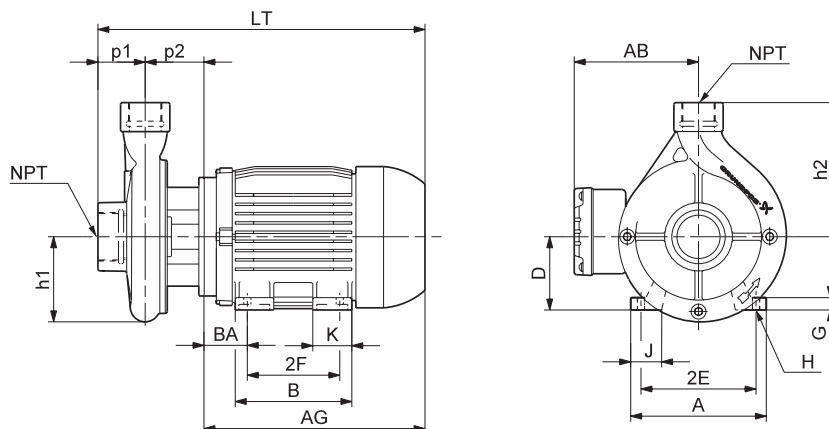
TM03 2985 5005

Bronze impeller



TM03 2993 5005

Dimensional sketch



TM03 1380 1905

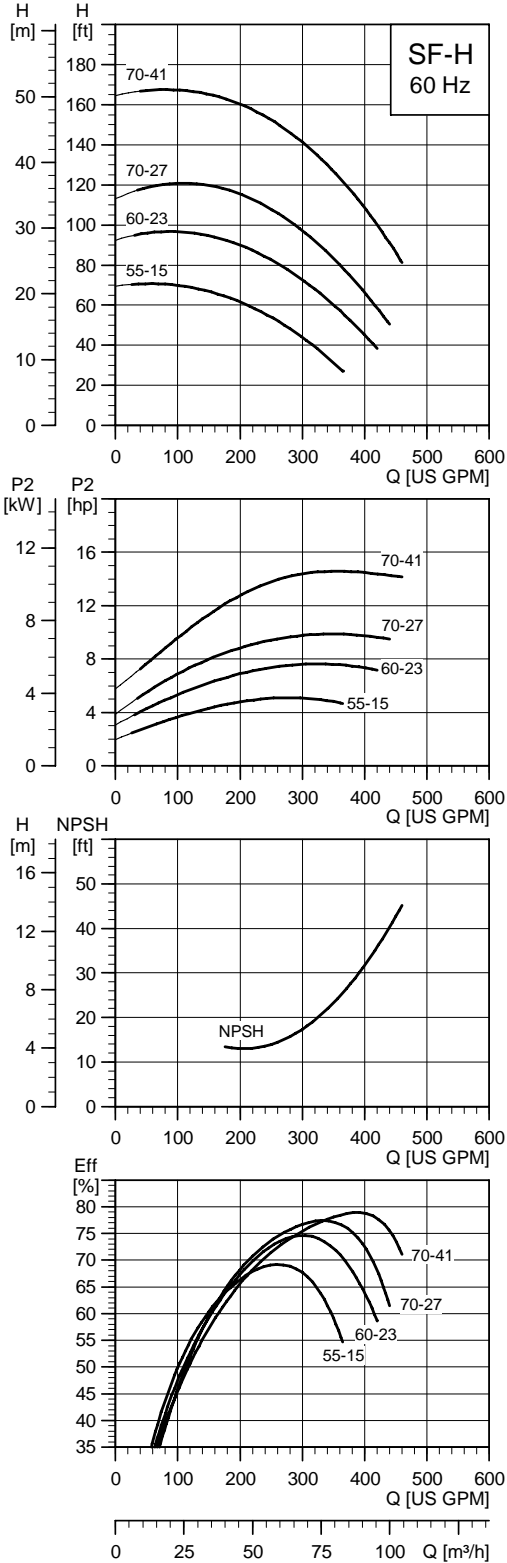
Dimensions and weights

Pump type	Motor [hp]	Phases		Motor dimensions [inch]										
		1	3	A	AB	B	BA	D	2E	2F	H	G	J	K
SR-G-30-47	10	●		9.76	8.07	8.86	3.50	5.25	8.50	7.00	0.41	0.83	2.01	2.17
SR-G-30-47	10		●	9.76	8.15	8.86	3.26	5.25	8.50	7.00	0.41	0.83	2.01	2.17
SR-G-40-60	15		●	9.76	8.15	8.86	3.26	5.25	8.50	7.00	0.41	0.83	2.01	2.17
SR-G-40-75	20		●	12.13	10.08	11.73	4.25	6.25	10.00	10.00	0.53	0.82	2.52	2.56
SR-G-40-90	25		●	13.78	10.87	11.57	4.76	7.00	11.00	9.50	0.53	1.00	3.15	2.95

Pump type	Motor [hp]	Phases		Pump dimensions [inch]					Cast iron		Bronze				
		1	3	p1	p2	h1	h2	AG	LT	Suction port	Discharge port	Net weight [lbs]	Gross weight [lbs]	Net weight [lbs]	Gross weight [lbs]
SR-G-30-47	10	●		3.03	3.94	5.00	8.46	15.89	22.87	2.5	2	208	234	208	234
SR-G-30-47	10		●	3.03	3.87	5.75	9.84	15.91	22.81	2.5	2	202	229	202	229
SR-G-40-60	15		●	3.03	3.87	5.75	9.84	15.91	22.81	2.5	2	213	240	213	240
SR-G-40-75	20		●	3.03	3.87	5.75	9.84	20.85	27.75	2.5	2	345	372	345	372
SR-G-40-90	25		●	3.03	3.87	5.75	9.84	21.91	28.81	2.5	2	421	448	421	448

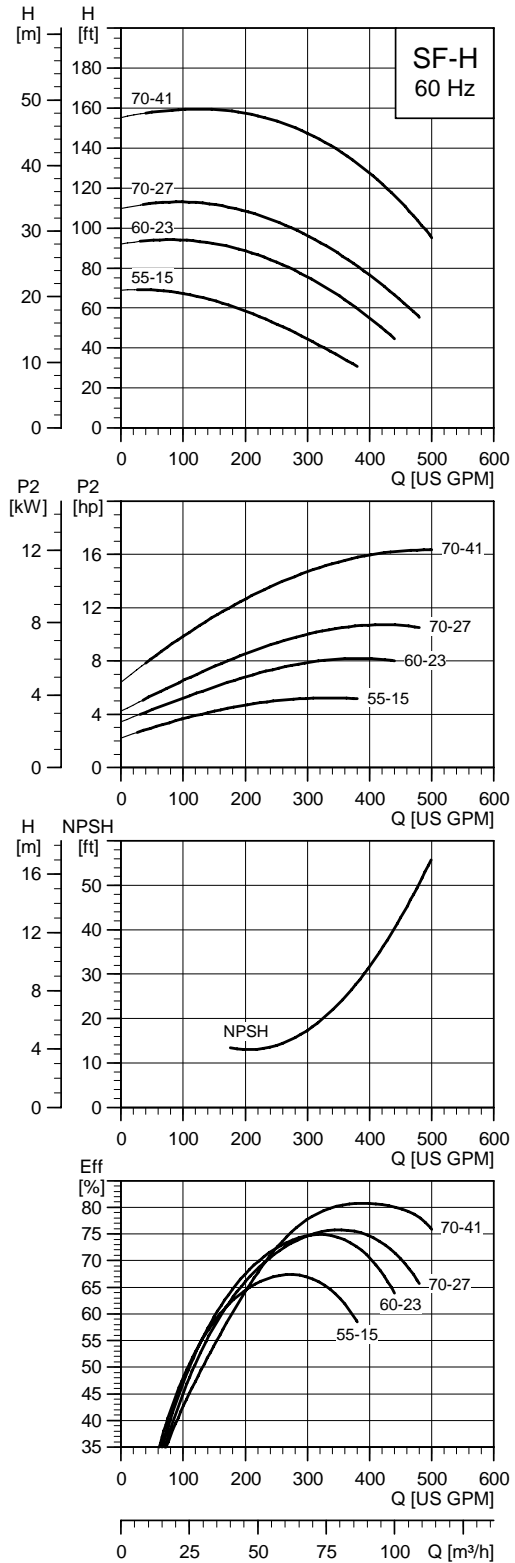
SF-H

Cast iron impeller



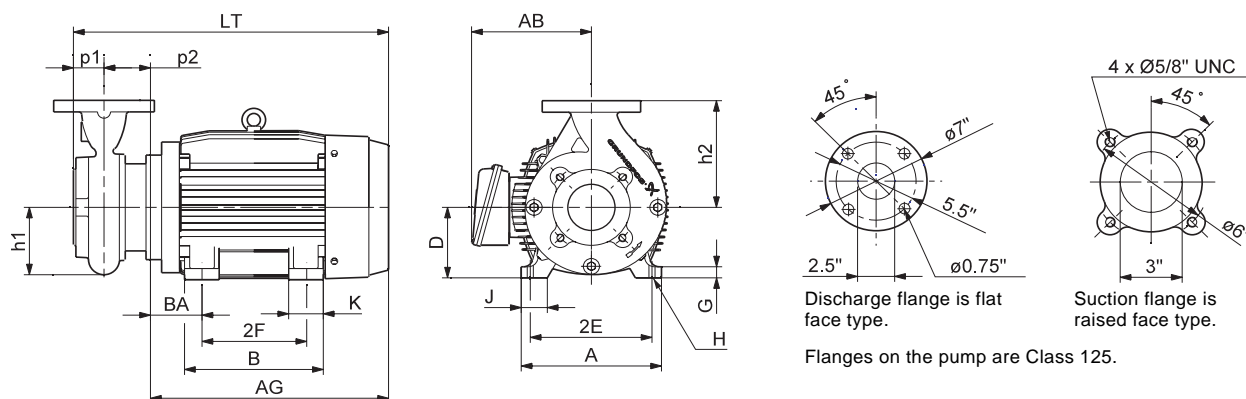
TM03 2976 5005

Bronze impeller



TM03 2978 5005

Dimensional sketch



TM03 1449 2105

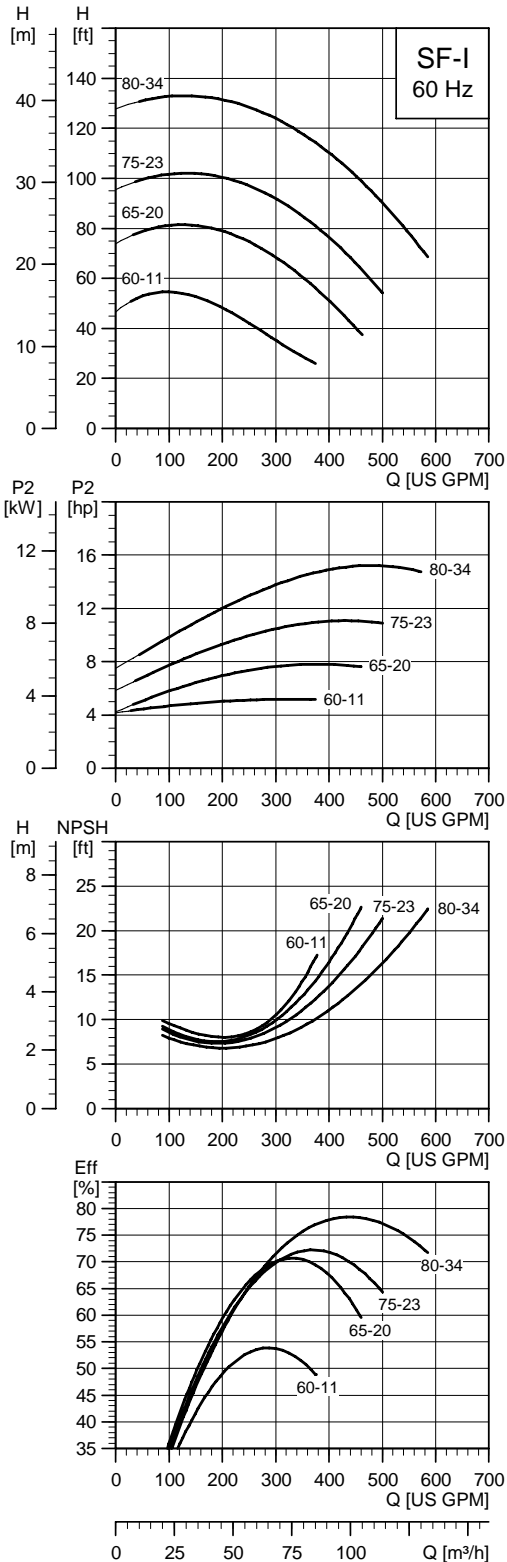
Dimensions and weights

Pump type	Motor [hp]	Phases		Motor dimensions [inch]										
		1	3	A	AB	B	BA	D	2E	2F	H	G	J	K
SF-H-55-15	5.0	●		8.66	7.84	6.97	2.76	4.50	7.50	5.50	0.41	0.72	1.89	1.97
SF-H-60-23	7.5	●		9.76	8.07	7.36	3.50	5.25	8.50	5.50	0.41	0.83	2.01	2.17
SF-H-70-27	10.0	●		9.76	8.07	8.86	3.50	5.25	8.50	7.00	0.41	0.83	2.01	2.17
SF-H-55-15	5.0		●	8.66	7.09	6.97	2.76	4.50	7.50	5.50	0.41	0.72	1.89	1.97
SF-H-60-23	7.5		●	9.76	8.15	7.36	3.50	5.25	8.50	5.50	0.41	0.83	2.01	2.17
SF-H-70-27	10.0		●	9.76	8.15	8.86	3.50	5.25	8.50	7.00	0.41	0.83	2.01	2.17
SF-H-70-41	15.0		●	9.76	8.15	8.86	3.26	5.25	8.50	7.00	0.41	0.83	2.01	2.17

Pump type	Motor [hp]	Phases		Pump dimensions [inch]						Cast iron		Bronze			
		1	3	p1	p2	h1	h2	AG	LT	Suction port	Discharge port	Net weight [lbs]	Gross weight [lbs]	Net weight [lbs]	Gross weight [lbs]
SF-H-55-15	5.0	●		2.36	4.18	8.66	5.31	12.95	19.50	3	2.5	155	176	155	176
SF-H-60-23	7.5	●		2.36	4.18	8.66	5.31	14.40	20.94	3	2.5	211	238	211	238
SF-H-70-27	10.0	●		2.36	4.18	8.66	5.31	15.89	22.44	3	2.5	206	233	206	233
SF-H-55-15	5.0		●	2.36	4.18	8.66	5.31	12.76	19.30	3	2.5	146	167	146	167
SF-H-60-23	7.5		●	2.36	4.18	8.66	5.31	14.42	20.96	3	2.5	185	211	185	211
SF-H-70-27	10.0		●	2.36	4.18	8.66	5.31	15.91	22.46	3	2.5	202	229	202	229
SF-H-70-41	15.0		●	2.36	4.18	8.66	5.31	15.91	22.46	3	2.5	215	241	215	241

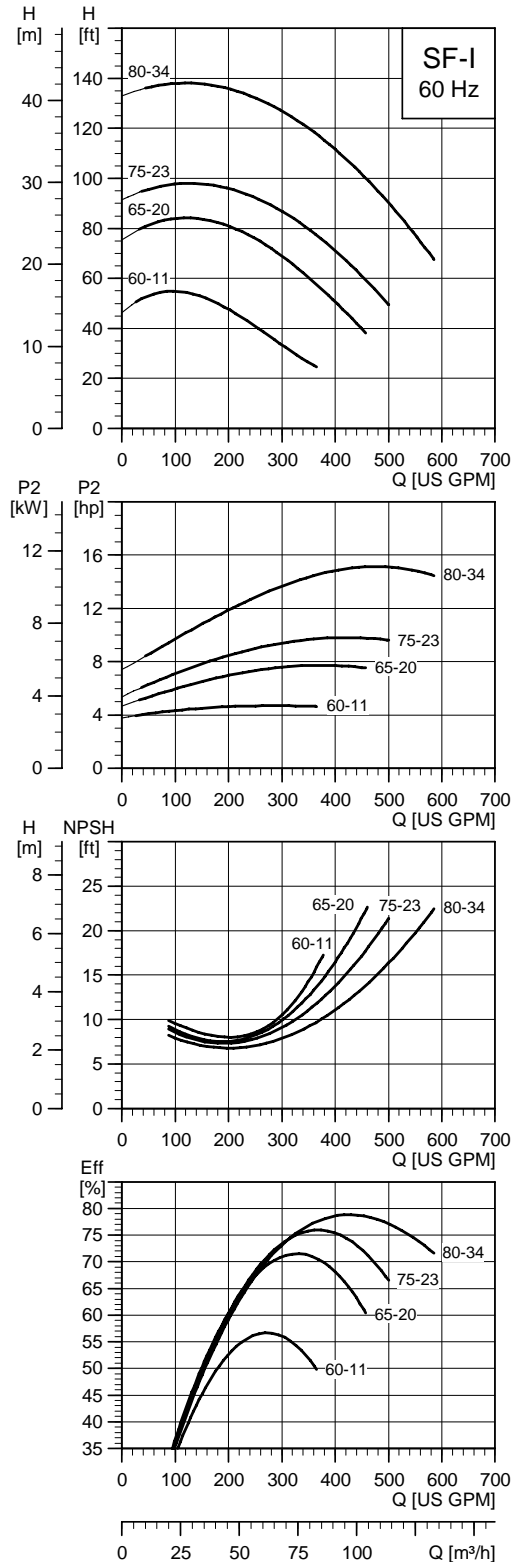
SF-I

Cast iron impeller



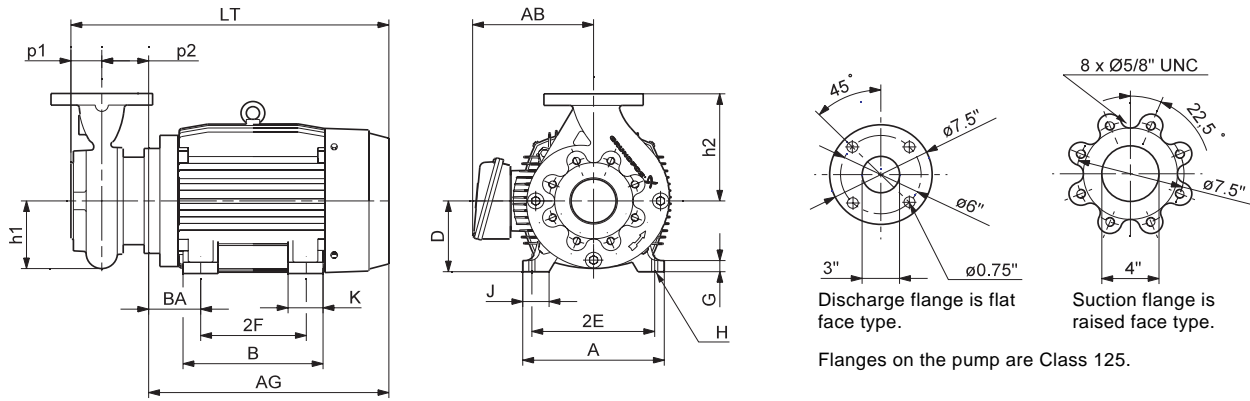
TM03 2977 5005

Bronze impeller



TM03 2979 5005

Dimensional sketch



Dimensions and weights

Pump type	Motor [hp]	Phases		Motor dimensions [inch]										
		1	3	A	AB	B	BA	D	2E	2F	H	G	J	K
SF-I-60-11	5.0	●		8.66	7.84	6.97	2.76	4.50	7.50	5.50	0.41	0.72	1.89	1.97
SF-I-65-20	7.5	●		9.76	8.07	7.36	3.50	5.25	8.50	5.50	0.41	0.83	2.01	2.17
SF-I-75-23	10.0	●		9.76	8.07	8.86	3.50	5.25	8.50	7.00	0.41	0.83	2.01	2.17
SF-I-60-11	5.0		●	8.67	7.09	6.97	2.76	4.50	7.50	5.50	0.41	0.73	1.89	1.97
SF-I-65-20	7.5		●	9.77	8.08	7.37	3.51	5.26	8.50	5.50	0.41	0.83	2.01	2.17
SF-I-75-23	10.0		●	9.77	8.15	8.86	3.26	5.26	8.50	7.00	0.41	0.83	2.01	2.17
SF-I-80-34	15.0		●	9.77	8.15	8.86	3.26	5.26	8.50	7.00	0.41	0.83	2.01	2.17

Pump type	Motor [hp]	Phases		Pump dimensions [inch]						Cast iron		Bronze			
		1	3	p1	p2	h1	h2	AG	LT	Suction port	Discharge port	Net weight [lbs]	Gross weight [lbs]	Net weight [lbs]	Gross weight [lbs]
SF-I-60-11	5.0	●		2.36	4.38	8.86	5.51	12.95	19.69	4	3	168	189	168	189
SF-I-65-20	7.5	●		2.36	4.38	8.86	5.51	14.40	21.14	4	3	212	234	212	234
SF-I-75-23	10.0	●		2.36	4.38	8.86	5.51	15.89	22.63	4	3	218	245	218	245
SF-I-60-11	5.0		●	2.37	4.38	8.86	5.52	12.76	19.50	4	3	150	172	150	172
SF-I-65-20	7.5		●	2.37	4.38	8.86	5.52	14.65	21.39	4	3	197	219	197	219
SF-I-75-23	10.0		●	2.37	4.38	8.86	5.52	15.92	22.66	4	3	214	240	214	240
SF-I-80-34	15.0		●	2.37	4.38	8.86	5.52	15.92	22.66	4	3	225	251	225	251

Motors for SR and SF, 60 Hz



1-3 hp



5-15 hp

1 x 115/208-230 V and 1 x 208-230/460 V

hp	Frame	Voltage [V]	Service factor SF	Eff [%]	Full load current [A]	Service factor current [A]	Starting current [A]	WEG code
0.75	B56	115/208-230	1.15	64.0	10.4/5.00-5.20	12.0/5.75-6.00	65.5/32.8	070515971
1	D56J	115/208-230	1.15	67.0	12.8/6.40-6.40	14.7/7.40-7.40	89.6/44.8	070507298
1.5	D56J	115/208-230	1.15	70.8	17.0/8.70-8.50	19.6/10-9.80	116/57.8	070507300
2	F56HJ	115/208-230	1.15	76.2	19.6/10.5-9.80	22.5/12.1-11.3	141/70.6	070507302
3	G56HJ	208-230	1.15	81.6	13.3-12.0	15.3-13.8	93.6	070507304
5	184JM	208-230/460	1.25	81.0	23.0-23.0/11.5	28.8-28.8/14.4	147/73.5	070512015
7.5	213JM	208-230/460	1.25	83.0	35.0-34.0/17.0	43.8-39.1/19.6	216/108	070512016
10	215JM	208-230/460	1.25	82.0	45.0-48.0/24.0	56.3-60.0/30.0	270/135	070512017

3 x 208-230/460 V

hp	Frame	Voltage [V]	Service factor SF	Eff [%]	Full load current [A]	Service factor current [A]	Starting current [A]	WEG code
0.75	B56	208-230/460	1.15	77.0	2.41-2.19/1.10	2.77-2.52/1.27	17.1/8.54	070515921
1	B56	208-230/460	1.15	78.5	3.08-2.80/1.40	3.54-3.22/1.61	23.2/11.6	070507273
1.5	B56	208-230/460	1.15	81.5	4.30-3.91/1.96	4.95-4.50/2.25	33.2/16.6	070507274
2	D56	208-230/460	1.15	82.0	5.70-5.40/2.70	6.56-6.21/3.11	55.6/27.8	070507275
3	F56H	208-230/460	1.15	83.0	9.00-8.10/4.10	10.4-9.32/4.72	87.5/44.3	070507276
5	184JM	208-230/460	1.25	87.5	13.0-11.8/5.90	16.3-14.8/7.38	90.9/45.4	020881598
7.5	213JM	208-230/460	1.25	88.5	19.1-17.3/8.66	23.9-21.6/10.8	123/61.5	020881599
10	215JM	208-230/460	1.25	89.5	25.7-23.4/11.7	32.1-29.3/14.6	161/80.6	020881600
15	215JM	208-230/460	1.25	90.2	38.0-34.5/17.3	47.5-43.1/21.6	210/105	020881605
20	256JM	208-230/460	1.25	90.2	51.2-46.5/23.3	64.0-58.1/29.1	288/144	020881601
25	284JM	208-230/460	1.25	91.0	63.8-58.0/29.0	79.8-72.5/36.3	360/180	020881602

3 x 575 V (available only in Canada)


hp	Frame	Voltage [V]	Service factor SF	Eff [%]	Full load current [A]	Service factor current [A]	Starting current [A]
1	56 C ¹⁾	575V	1.15	81.0	1.15	1.32	9.20
1.5	56 C ¹⁾	575V	1.15	82.5	1.58	1.82	12.6
2	56 C ¹⁾	575V	1.15	84.0	2.14	2.40	17.2
3	145JM	575V	1.15	85.5	2.97	3.40	24.35
3	182JM	575V	1.25	85.5	2.97	3.71	24.35
5	184JM	575V	1.25	87.5	4.72	5.90	33.0
7.5	184JM	575V	1.15	88.5	7.00	8.05	49.0
7.5	213JM	575V	1.25	88.5	6.93	8.66	49.2
10	215JM	575V	1.25	89.5	9.35	11.7	64.5
15	215JM	575V	1.15	90.2	13.6	15.6	85.7
15	254JM	575V	1.25	90.2	13.8	17.3	79.3
20	254JM	575V	1.25	90.2	18.6	23.3	115
20	256JM	575V	1.25	90.2	18.6	23.3	115
25	256JM	575V	1.15	91.0	22.7	26.1	141
25	284JM	575V	1.25	91.0	23.2	29.0	144

1) Frame 56 motors are not part of NRCan/Epact

ANSI counter-flange for SF pumps

Materials in contact with the pumped liquid are made of cast iron.

A set consists of two flanges, two gaskets, bolts and nuts.

Coupling	Flange type	Class [lbs]	Pipework connection	Shipping weight [lbs]	Product number
	Threaded, cast iron	125	3" and 2 1/2"	19	91136213
			4" and 3"	33	91136214

Liquid-filled pressure gauges

Measuring range	Material	Shipping weight [lbs]	Product number
30" Hg - 30 psi	304SS/copper	0.5	91123566
0-60 psi	304SS/copper		00ID8562
0-100 psi	304SS/copper		00ID8563
0-160 ps	304SS/copper		00ID8564
0-200 psi	304SS/copper		00ID8565
30" Hg - 30 psi	Stainless steel		91130835
0-30 psi	316 stainless steel		00ID8569
0-60 psi	316 stainless steel		00ID8570
0-100 psi	316 stainless steel		00ID8571
0-160 ps	316 stainless steel		00ID8572
0-200 psi	316 stainless steel	00ID8573	

SR and SF

Horizontal single-stage centrifugal pumps

Company name: _____
 Prepared by: _____
 Phone number: () - _____
 Fax number: () - _____
 Date: _____ Page 1 of: _____
 Quote number: _____

Client information

Project title: _____ Client name: _____
 Reference number: _____ Client number: _____
 Client contact: _____ Client phone no: () - _____

Location information

For: _____ Unit: _____
 Site: _____ Service: _____
 Address: _____ City: _____ State: _____ Zip code: _____

Application information

Operating conditions				Pumped liquid			
	Max.	Norm.	Min.	Liquid type:	Rated	Max.	Norm.
Capacity (gpm)	_____	_____	_____	Liquid temperature (°F)	_____	_____	_____
Suction pressure (psig)	_____			at designated temperature	_____	_____	_____
Discharge pressure (psig)	_____			Specific gravity	_____	_____	_____
Differential head (ft)	_____			Vapor pressure (psia)	_____	_____	_____
Hydraulic power (hp)	_____			Viscosity (cp)	_____	_____	_____
at designated capacity							
NPSH available (ft)	_____						
Service							
Continuous	_____						
Intermittent (starts/day):	_____						

Pump information

Model information from type key: _____ ----> (Example: SR-A-8-13-F-2-60-BBVE-A)
 Quantity required: _____
 Minimum required flow: _____ NPSH required at duty point: _____
 Product guide additional information pages
 Materials page number: _____ Performance curve page number: _____
 Technical data page number: _____ Motor data page number: _____

Motor information

hp: _____ Phase: _____ Voltage: _____ Enclosure: _____

Additional information

SR and SF

Horizontal, single-stage, non-self-priming, centrifugal pump with axial suction port and radial discharge port. The compact unit has maintenance-free mechanical shaft seal and a close-coupled motor/pump shaft. Pump and motor are mounted on a common base plate and the tangential discharge can be rotated to any of four positions.

The motor is a _____ -phase AC motor.

Technical

Rated flow: _____ GPM
Rated head: _____ feet
Minimum liquid temperature: _____ °F
Maximum liquid temperature: _____ °F
Type of shaft seal: _____

Material

Material, pump housing: Cast iron
Material, shaft: Stainless steel
Material, shaft sleeve (4 hp and over) _____
Material, impeller: _____
Material, seal metal: Stainless steel
- seal face: _____
- seal face: _____
- seal elastomer: _____

Installation

Minimum ambient temperature: _____ °F
Maximum ambient temperature: _____ °F
Maximum operating pressure: _____ PSI
Max. pressure at stated temp.: _____ PSI/°F
Size, pipe connection: _____

Electrical data

Rated power (P2): _____ hp
Frequency: _____ Hz
Rated voltage: _____ V
Rated current: _____ A
Service factor: _____
Starting current: _____ A
Rated speed: _____ rpm
Enclosure class: _____
Insulation class: F

Additional

Gross weight: _____ lbs
Shipping volume: _____

L-ES-PG-001 01/06	US

Subject to alterations.

GRUNDFOS Pumps Corporation
17100 West 118th Terrace
Olathe, Kansas 66061
Phone: +1-913-227-3400
Telefax: +1-913-227-3500

GRUNDFOS Canada Inc.
2941 Brighton Road
Oakville, Ontario L6H 6C9 Canada
Phone: +1-905 829 9533
Telefax: +1-905 829 9512

Bombas GRUNDFOS de Mexico S.A. de C.V.
Boulevard TLC No. 15
Parque Industrial Stiva Aeropuerto
Apodaca, N.L. Mexico 66600
Phone: +52-81-8144 4000
Telefax: +52-81-8144 4010